



Sciences of Europe

VOL 1, No 60 (2020)

Sciences of Europe
(Praha, Czech Republic)

ISSN 3162-2364

The journal is registered and published in Czech Republic.
Articles in all spheres of sciences are published in the journal.

Journal is published in Czech, English, Polish, Russian, Chinese, German and French.

Articles are accepted each month.

Frequency: 24 issues per year.

Format - A4

All articles are reviewed

Free access to the electronic version of journal

All manuscripts are peer reviewed by experts in the respective field. Authors of the manuscripts bear responsibility for their content, credibility and reliability.

Editorial board doesn't expect the manuscripts' authors to always agree with its opinion.

Chief editor: Petr Bohacek

Managing editor: Michal Hudecek

- Jiří Pospíšil (Organic and Medicinal Chemistry) Zentiva
- Jaroslav Fährnich (Organic Chemistry) Institute of Organic Chemistry and Biochemistry Academy of Sciences of the Czech Republic
- Smirnova Oksana K., Doctor of Pedagogical Sciences, Professor, Department of History (Moscow, Russia);
- Rasa Boháček – Ph.D. člen Česká zemědělská univerzita v Praze
- Naumov Jaroslav S., MD, Ph.D., assistant professor of history of medicine and the social sciences and humanities. (Kiev, Ukraine)
- Viktor Pour – Ph.D. člen Univerzita Pardubice
- Petrenko Svyatoslav, PhD in geography, lecturer in social and economic geography. (Kharkov, Ukraine)
- Karel Schwaninger – Ph.D. člen Vysoká škola báňská – Technická univerzita Ostrava
- Kozachenko Artem Leonidovich, Doctor of Pedagogical Sciences, Professor, Department of History (Moscow, Russia);
- Václav Pittner -Ph.D. člen Technická univerzita v Liberci
- Dudnik Oleg Arturovich, Doctor of Physical and Mathematical Sciences, Professor, Department of Physical and Mathematical management methods. (Chernivtsi, Ukraine)
- Konovalov Artem Nikolaevich, Doctor of Psychology, Professor, Chair of General Psychology and Pedagogy. (Minsk, Belarus)

«Sciences of Europe» -

Editorial office: Křižíkova 384/101 Karlín, 186 00 Praha

E-mail: info@european-science.org

Web: www.european-science.org

CONTENT

AGRICULTURAL SCIENCES

Shcatula Y. HIGHER REDUCTION IN MAIZE CEREALS ON GRAIN ...3	Bodnaruk I., Andrusyak O. DIRECTIONS AND MEASURES TO IMPROVE THE EFFICIENCY OF LAND RESOURCES USE DURING THE ADMINISTRATIVE-TERRITORIAL REFORM IN UKRAINE16
Zabarna T. THE INFLUENCE OF HYDROTHERMAL CONDITIONS ON THE CULTIVATION OF SPRING BARLEY IN THE RIGHT- BANK FOREST-STEPPE OF UKRAINE10	Voropay H., Moleshcha N. MAIN DIRECTIONS OF SCIENTIFIC RESEARCH ON DRAINED LANDS OF THE LEFT-BANK FORREST STEPPE OF UKRAINE HISTORY AND MODERN ASPECTS.....20

PHARMACEUTICAL SCIENCES

Shyrko A., Budniak L., Vasenda M., Pokotylo O., Sinichenko A. DOMESTIC PHARMACEUTICAL MARKET RESEARCH OF PHYTOPREPARATIONS WITH EXPECTORANT PROPERTIES.....27	Grytsyk A., Posatska N., Svirska S. MACROSCOPIC AND MICROSCOPIC MORPHOLOGICAL FEATURES OF <i>VERBENA</i> L. SPECIES35
Grytsyk L., Legin N., Svirska S., Grytsyk A. THE STUDY OF PHENOLIC COMPOUNDS OF <i>SANICULA EUROPAEA</i> L.31	

TECHNICAL SCIENCES

Lomsadze Z., Mirianashvili N., Vezirishvili – Nozadze K., Gamezardashvili D., Dvaladze A. RESEARCH OF THE EFFICIENCY OF USE OF HEAT PUMPS IN AIR CONDITIONING SYSTEMS41	Sobol A., Andreeva A. DIAGNOSTIC STATOR WINDING FAULTS ASYNCHRONOUS GENERATORS AUTONOMOUS WIND-SOLAR POWER PLANTS50
Semenets D. STRUCTURAL METHOD FOR REDUCING TRANSDUCER ERROR FOR LIGHTING CONTROL SYSTEMS45	Kovalyshyn V., Khlevnoy O., Haryshyn D. PRIMARY SCHOOL-AGED CHILDREN EVACUATION FROM SECONDARY EDUCATION INSTITUTIONS WITH INCLUSIVE CLASSES53

10. Masliyov S. V. Influence of plant density on the yield of siliceous corn in the eastern part of the steppe of Ukraine. Bulletin of the Poltava State Agrarian Academy. 2016. №3. P. 11-14.

11. Merlenko I. M., Zinchuk M. I., Shtan S. S., Leontieva V. S. The use of plant growth stimulants and biological products as one of the factors of biologization of agricultural production. Soil fertility protection: materials International. scientific-practical conf. K. 2004. Vip. 1. P. 105-114.

12. Rozhkov A. A., Gutyansky R. A. Dynamics of leaf area formation of spring barley plants depending on the influence of seeding rate and foliar fertilization. Bulletin of the Poltava State Agrarian Academy. 2017. №4. P. 32-37.

13. Symochko, L. Yu. (2008). Biologichna aktyvnist gruntu prirodnykh ta antropohennykh ekosystem v umovakh nyzynnoyi chastyny Zakarpattya. Naukovyy Visnyk Uzhhorodskoho Universytetu, 22, 152–154 [In Ukrainian].

14. Tishchenko MV, and others. The use of trace elements of the drug "Avatar" for the cultivation of spring barley in the field crop rotation. Bulletin of the Poltava State Agrarian Academy. 2018. №3. P. 32-38.

15. Tsykov VS, and others. The effectiveness of foliar fertilization of corn with trace elements is compatible with nitrogen fertilizer. Bull. In-that villages. household steppe. zone of NAAS of Ukraine. Dnipro. New ideology. 2016. №11. P. 23–27.

THE INFLUENCE OF HYDROTHERMAL CONDITIONS ON THE CULTIVATION OF SPRING BARLEY IN THE RIGHT-BANK FOREST-STEPPE OF UKRAINE

Zabarna T.

*Vinnitsia National Agrarian University
Vinnitsia*

ABSTRACT

The article reflects the results of the research and reasonably obtained indicators on the effect of hydrothermal conditions on the formation of spring barley yields in the conditions of the right-bank Forest-steppe of Ukraine. Climatic conditions put us severe obstacles in obtaining the yield of spring crops. Against the background of the beginning of desertification, we may think that this concept applies only to the southern regions, however, this is not true, the climate is changing much faster than we assumed. In general, the assessment of soil and climatic conditions of the VNAU research field indicates that they are sufficiently favorable for the formation of high and sustainable yields of major crops, and above all - spring barley, as evidenced by the data we obtained. On average for two years of spring barley cultivation after sunflower predecessor without using mineral fertilizers spring barley yield was 33.7 c/ha of grain. Upon application of N₆₀P₆₀K₆₀ barley yield increased up to 46.0 c/ha. It was highest when 90 kg of nitrogen fertiliser was applied on a phosphorous-potassium background and amounted to 53.9 cwt/ha.

Keywords: spring barley, forecrop, fertiliser, climate, yield.

To quote the head of the Sokolov Institute of Soil Science and Agrochemistry. Sokolovsky, it is worth noting that Ukrainian soils are dying due to lack of moisture and nutritional deficiencies. The content of humus, which primarily determines the fertility of soils, is decreasing. In the last 130 years our Ukrainian lands have lost 30% of their humus content.

Olga Babayants adds that an interesting fact is that rainfall during the year remains almost at the same level as before, i.e. in the range of 390-420 mm. But due to the acceleration of evaporation, only about 100 mm remains in the soil instead of the required half. And the increased winds, blow away the remaining moisture. Another of the problems we are hard pressed to face in 2019 is the almost total lack of moisture in the arable soil layer almost everywhere. The terrible rains, increasingly heavy rainfall, well as a consequence, of course, were not productive, but rather stripped away the top humus layer of the soil. Yes, it is a challenge of nature, and a very tough one, but a man should be smart and should find a way out of any situation.

It should also be noted that winter crops, namely wheat, barley and rapeseed still grow and survive in the absence of moisture, but the ending may be unpredictable. The start of 2020 provides us with clues as to the

urgency of deciding what to sow, how to protect and shape the future crop. Unfortunately, the range of options for spring crops is very small. However, the search for crops that can do a bit of protecting and harvesting must be urgent. Therefore, in such cases, we increasingly turn to spring barley [1].

Researches on studying of technology models of spring barley growing for grain were conducted during 2019-2020 on the research field of Vinnitsa National Agrarian University.

Research was supposed to study the action and interaction of such factors: A - precursor; B - levels of mineral nutrition.

Gradation of factors 3x3. Repetition of experience three times. Placement of the variants is systematic. Area of the study plot is 30 m².

Spring barley precursors - winter rape, corn, sunflower.

Soil preparation during the pre-sowing period depended on the predecessor and was aimed at maximum conservation and accumulation of moisture in the soil and elimination of weeds. Soil treatment included: after the harvesting of the previous crop, discing with BDT-7 heavy harrows and later ploughing with PLN-5-35 plough to a depth of 25 cm with further application of

mineral fertilizers at the rate of P60K60 kg/ha of multi-nutrient granulated superphosphate and potassium chloride. In spring, we had harrowing and pre-sowing cultivation and applied nitrogen fertilizers at the rate of N60 and N60 multi active substance in the form of ammonium nitrate.

The technology of spring barley cultivation was common for the forest-steppe zone of Ukraine and in addition to the issues raised in the study met zonal and regional recommendations.

The variety of spring barley KVS Dante was entered in the state register in 2017. The average yield of the variety in the five previous years was 31.3 - 42.8 cwt/ha. The plant height was 53.8 - 62.1 cm. Lodging resistance 8.4 - 8.8. Shattering resistance 8.8 - 9.0. Drought tolerance 8.2 - 8.4 points. Resistance to helminthosporiosis 7.8 - 8.4 points. Resistance against buntings 8.4 - 9.0 points. Resistance against powdery mildew 8.0 - 8.9 points. Protein content - 11.3 - 12.0%. Grain uniformity - 94.3 - 97.3%. Country of origin of the variety - Germany. Recommended zones of cultivation Steppe, Forest-steppe, Polesie.

Sowing of field experiment was carried out by seeder SN-16 in a unit with tractor T-25. Seeding method is conventional row-crop, with a row spacing of 15 cm. Seed rate was 4.0 mln. seeds per 1 hectare. Depth of seeding into the soil 2-4 cm.

In order to improve conditions for germination of spring barley seeds, soil compaction was carried out using 3KKSh - 6A ring and spike rollers.

In the phase of tillering in the tank mixture was used: herbicide "Dialen super" at a rate of 0.6 l / ha, fungicide "Impact 25" at a rate of 0.5 l / ha and insecticide "Decis f Lux" at a rate of 0.25 l / ha.

Spring barley grain was harvested in the phase of full ripeness by direct harvesting.

During the growing period of spring barley plants in the field experiment the following phenological observations, biometric measurements and laboratory analysis of plants and soil samples were conducted:

- Phenological observations of growth and development of spring barley were conducted in accordance with the "Methodology for the State Variety Testing of Agricultural Crops" and "Methodology for carrying out research on forage production". The main phases of plant growth and development were recorded: the beginning of the phase was considered to be not less than 10% of the plants, the full phase - 75% of plants [2,3];

- plant height was determined throughout the growing season by phase. The number of sampling was 25 plants, which were measured in different places along the diagonal of the recording area, and then the average height of plants on the plot was determined [4];

- Prior to harvesting, a sample sheaf was taken from each sample to determine individual plant productivity. The yield was recorded by mowing and threshing the grain from the entire recording area of each plot in the phase of full ripeness by Sampo 130 combine with further weighing [5];

- mathematical processing of the research results was carried out by dispersion and correlation and regression analysis on a personal computer using special

application software packages such as Excel, Sigma [6];

- economic efficiency of spring barley cultivation depending on the levels of mineral nutrition and predecessor according to the method [7] was calculated according to the data obtained.

Barley is an important feed grain in many areas of the world that are not suitable for maize production because of the climate, especially in northern countries such as northern and eastern Europe. Barley is the main feed grain in Canada, Europe and the northern USA. Half of the barley crop in the United States is used as calf feed. Most of the rest of the production is used in brewing, for which barley is the best grain. It is a key ingredient in beer and whisky production.

Double-row barley is traditionally used in German and English beers. In the US, six-row barley has traditionally been used for beer production, but both varieties are now widely used. In Ireland and Scotland, barley is the main component of whisky (distilled from green beer).

In the 18th century barley wine was a common alcoholic drink. In Italy barley was widely used as a surrogate for children's coffee. Nowadays barley coffee is experiencing a revival as an alternative to coffee for people who, for health reasons, should not consume caffeine. According to recent studies, consumption of whole barley beans can regulate blood sugar levels [8].

Considering the area sown and yields of spring barley of many cereal crops in Ukraine, as well as in the area of world agriculture, it takes one of the priority places. In general, the area of spring barley sown in the world is about 75 million hectares. In Ukraine, it is sown on an area of about 3-5 million hectares. Barley grain is in great demand and is widely used for both fodder and food purposes, in addition to being used as an indispensable raw material for the brewing industry. Spring barley yields in the early nineties were significantly higher than world levels, under current conditions only in some years. Part of the crop is consumed in Ukraine and the surplus is exported. [9,10]. Barley wheat is in high demand on the world market and therefore has a high price. Our state has a large potential of barley grain production and a real opportunity to increase its export and earn considerable money from it. With this in mind, it is advisable to considerably increase production and export of this crop in the coming years. However, it is necessary to increase the gross harvest of barley grain not by expanding the area under barley crops but by increasing the yield of the crop [11].

The growth and development of spring barley requires relatively little heat - the total sum of biologically active temperatures during the whole vegetation period is 1250-1450 ° C. Also, Pannikov V. D. notes that at all stages of its growth and development barley is very sensitive to the action of high temperatures and can suffer from it. The detrimental influence of such a factor is especially clearly manifested during the period of emergence into a tube - grain formation [12].

Scientists have established that an increase in temperature during the grain emergence period by 1° C above the average leads to a decrease in yield by 4.1-5.7% [13].

It is known that barley seedlings can withstand frosts as low as -3 ... -9 °C, but in the later stages, temperature drops below 0 °C are critical and sometimes fatal for the crops, the long-term effects of negative temperatures being usually fatal for the above-ground barley organs. However, it is proved that the occurrence of frosts in spring during barley flowering can have even worse consequences [14]. Thus, the temperature factor is extremely important for the formation of spring barley yield, and therefore, its quantitative manifestations should be taken into account to model the predicted activity. Barley is quite demanding in terms of moisture supply; the optimum for it is continuous water supply, but the critical periods are tillering - emergence and the end of emergence - earing [15].

Thus, barley, despite its unpretentiousness, has certain specific requirements for growing conditions, only intensified when it comes to obtaining brewing grain.

According to the findings of scientists, the maximum realization of the yield potential of spring barley plays the role of cultivation technology and climatic-weather conditions.

To solve the main tasks of barley growing it is necessary to take into account weather and climatic conditions of the region as a whole and the place of researches fulfillment besides improvement of agrotechnical measures. Scientific literature indicates that in many countries yield losses due to weather conditions are as high as 30%.

Weather conditions play a decisive role in shaping the yields of all crops. Knowledge of environmental conditions and the response of crops to them allows not only to justify the functional capacity of plants, but also

to use their productivity potential more widely in a particular soil and climatic zone [16].

Vinnitsa region is located in the western part of Ukraine. It borders Moldova to the south, Chernivtsi and Khmelnytskyi oblasts to the west, Zhytomyr and Kyiv oblasts to the north, and Cherkasy, Kirovograd and Odessa oblasts to the east.

The climate of the region is moderately continental, with mild winters and warm, humid summers. The average temperature in January is -4-6°C, and in July 18.6 + 20.5°C. The average temperature in January is -4-6°C, and in July 18.6 + 20.5°C. The period with temperatures of over 10°C is about 200 days. The sum of active temperatures is 2700°C. Precipitation is distributed unevenly across the region. The precipitation is distributed unevenly - 550-590 mm in the north-west and west and 480-520 mm in the south-east. About 70% of them fall in the warm period of the year. The height of snow cover is 513 cm. The unfavorable climatic phenomena on the territory of the region are blizzards (6-12 days), frost (15-17 days), fogs in cold season (37-60 days), thunderstorms with hail (1-2 days), in the south-east regions - dry winds. The north-western part of Vinnitsa refers to humid, moderately warm, and the rest of the territory - to insufficiently humid, warm, agroclimatic zone [17].

Field studies on the formation of spring barley productivity depending on the action of predecessors and different norms of mineral fertilizer were conducted on the research field of VNAU during 2019-2020.

Climatic conditions of the territory of right-bank Forest-steppe of Ukraine, in particular the southern part of Vinnitsa region, where our research was conducted, were characterized by certain features (Table 1).

Table 1

Characteristics of temperature and precipitation conditions *

Month	Precipitation amount, mm	Soil moisture, %	Minimum soil temperature, °C	Average soil temperature, °C	Mean monthly air temperature, °C	Maximum air temperature, °C	Minimum air temperature, °C
2019							
1	53	32	-7	-1	-3	9	-14
2	26	30	-4	3	2	14	-7
3	18	25	-3	6	6	21	-5
4	30	24	1	11	11	25	-2
5	55	26	4	16	17	28	2
6	33	24	12	21	23	33	8
7	32	19	11	20	20	36	7
8	8	12	12	22	22	39	8
9	33	12	3	17	17	34	-4
10	15	14	-3	12	13	29	-5
11	15	15	-6	8	7	25	-9
12	22	20	-6	3	3	15	-8
2020							
1	11	25	-4	1	1	9	-6
2	65	27	-5	3	3	17	-8
3	31	24	-2	7	7	20	-5
4	19	19	-2	10	10	24	-5
5	104	24	4	13	13	28	-2
6	70	25	7	19	21	33	2
7	38	19	12	21	22	34	7
8	9	13	11	21	22	36	8
9	32	11	7	19	19	36	1

*https://public.tableau.com/views/obile_15867828062590/sheet3?%3Adisplay_count=y&publish=yes&%3Aattribution=n&%3Aorigin=viz_share_link&%3AshowVizHome=no

The hydrothermal conditions in the years of the study were characterized by certain peculiarities. It should be noted that in general the average monthly air temperatures and the amount of precipitation during the growing season were favorable for barley cultivation.

April by its temperature indices was practically at the level with the presented multi-year norms, sometimes the average monthly temperature exceeded only by +1 °C the climatic norm. However, April 2020 was significantly cooler than April 2019.

It is worth noting that the first ten-day period in April was marked by a noticeable dry spell. But already in the second decade of the month we could see precipitation in the form of wet snow and rain. Precipitation was heaviest during the third ten-day period, from 23-30 April.

However, it is noted that the amount of precipitation through April 2019 was tangibly higher than the current situation in 2020. The total amount of precipitation that fell in April this year did not exceed or even reach the mark of the multi-year climatic norm. Therefore, the average daily ground temperature in April ranged from +8 to +9 °C. Soil moisture levels were within $\pm 18\%$. If we compare conditions in April 2020 with April 2019, we can say that the productive moisture supply in 2019 was also slightly higher than in the same period of the current year.

The April 2020 moisture figure ranged from 45% to 56%, while in 2019 the figure was between 57% and 65%.

This May has fallen below the temperature range in comparison to cooler temperatures. In addition, we have been accustomed to temperatures exceeding multi-year climatic norms lately, but May has made its adjustments and as a consequence, the current May temperatures were below the multi-year norm by +1 ... +2 °C, comparing to the average.

Thus, the average monthly temperature ranged from +13 ... +15 °C. May was marked by generous and abundant precipitation, sometimes accompanied by

thunderstorms and hail. The greatest amount of precipitation fell during the third decade of May.

It was noted that the humidity index in May 2020 ranged from 60% to 75%, whereas in 2019 it did not have such a wide range of fluctuations, ranging from 64-78%.

At the beginning of June, we recorded a long-awaited real "meteorological summer". The average daily air temperature was already at +15 °C. During the second decade of the month, it was as high as +19 ... +25 °C.

The first and second decade of June, like the entire previous month, were also rainy. Heavy rains, thunderstorms, squally wind and even localized hail were recorded during this period. Since the end of June, the amount of precipitation had dropped considerably. The golden midsummer brought an increase in temperatures to 21.4 °C. The average monthly air temperature for July increased by 2 °C.

In general, the conditions of the Central agroclimatic region of Vinnitsa oblast are favorable for the cultivation of spring crops, which is a good enough factor in the formation of the harvest of this crop.

To the characteristic of the factors that have an indisputable influence on the formation of the yields are primarily precipitation, daylight hours, air temperature and the sum of the effective temperatures, which directly affect all stages of crop growth. The relatively close proximity of the farm's area to the sea has created conditions of a temperate continental climate.

According to long-term observations of meteorologists, spring begins most often in the second half of March, when the average daily air temperature exceeds 0°C. However, spring frosts are recorded until the end of April (in some years they may occur in early May as well). Night frosts usually cease when average daily air temperatures rise above +5°C, and from then on, they do not occur until the end of September. The growing season is 199-205 days long.

Table 2

Climatic indicators for the central sub-zone of Vinnytsia district

№ p/p	Climate indicator	Value
1	Length of frost-free period, days	141-153
2	Sum of positive temperatures, over 0 °C	2665-2785
3	Length of growing season, days	199-205
4	Precipitation per year, mm	534-540
5	Precipitation per growing season, mm	369-425
6	Average annual air temperature, °C	6,7-7,0
7	Average of absolute minima of air temperature	-25
8	Air temperature, °C	-32...-35
9	Absolute minimum of air temperature, °C	+39
10	Absolute maximum of air temperature, °C	2318-2444
11	Sum of active temperatures over 10 °C	21 September
12	Average date of first frost, autumn	28 April
13	Average date of last spring frost	90
14	Average days with snow cover, days	8-13
15	Average of maximum snow depth, cm	До 56
16	Average depth of ground frost, cm	До 90
17	Maximum depth of soil freezing, cm	До 30
18	Minimum depth of soil freezing, cm	North-west

The average annual rainfall varies between 534 and 540 mm, of which about 80% falls during the vegetation period. As a rule, the first autumn frosts occur during the second decade of September (around 17 September) and the last spring frosts occur at the end of April (around 23 April). Snow covers the ground for up to 90 days. And the prevailing winds in the area are northwest winds.

In general, the assessment of soil and climatic conditions of the experimental field of VNAU indicates that they are sufficiently favorable for the formation of high and sustainable yields of major crops, and above all - spring barley.

One of the important elements of the crop structure is the number of productive stems per unit area. Its value depends on the density of standing plants and the number of productive stems on one plant in the phase of full grain ripeness.

The main components of the ear that participate in the formation of the yield are the length of the ear, the number of spikelets and the number of grains in the ear, and the weight of the grains per ear. The development of the ear is known to depend on many factors, the main ones being the genetic characteristics of the variety. The length of the ear depends on the varietal traits. In some varieties the ear is dense and the spikelets in the ear are closely spaced. In others, on the contrary, it is loose and loose, with large gaps between the ears. Clearly, varieties with a loose ear will have a greater ear length, but this does not mean that varieties with a shorter ear length (dense ear) have a lower yield.

As the number of spikelets in an ear has little to do with the productivity of spring barley, the second most important element in yield structure is the number of grains in the ear. The number of ears is determined by meteorological conditions and the technology model.

An important indicator of yield structure is the weight of grains per ear, which in turn depends on growth conditions and the transition to the later phases of the growing season. Of particular importance are fertilizers, crop protection against diseases, pests and lodging. Grain weight is not only a function of growth conditions, but is determined primarily by the length of the floral scales, which finish their growth at earing. Applying nitrogen fertilizer prior to the end of floral scale formation can help to increase it.

Our research found a positive role of mineral fertilizers on the formation of the number of productive stems. Thus, when growing spring barley after winter rape, the number of productive stems was 504-595 units/M², after corn - 497-588 units/M², and after sunflower - 488-580 units/M².

Evaluating the parameters of ear productivity, we should note a positive effect of mineral fertilizers in the rate of N90P60K60 in the pre-sowing cultivation. The length of the ear of winter rape on the best nutrition level was 10,3 cm, number of grains in the ear - 24,7 units, and the weight of grains per ear - 0,98 g.

Cultivation of barley after the corn predecessor provided the following performance indicators: ear length - 10 cm, number of grains in the ear - 24.3 pcs, while the weight of grains per ear was 0.95 g.

The use of sunflower as a fore crop and application of mineral fertilizers at a dose of N90P60K60 provided the length of the ear of 9.8 cm, while the number of grains in the ear was 24 pieces, and the weight of grains per ear was 0.93 g.

In the final phases of plant growth and development, higher yields are achieved through better grain filling. Grain fullness is best characterized by an indicator such as the mass of 1000 grains. It depends not only on meteorological conditions, but can also be regulated by appropriate winter hardiness, in particular levels of mineral nutrition.

In the variant with the winter rape predecessor the mass of 100 grains of spring barley was in the range from 35.3 to 39.7 g. The use of maize as a precursor contributed to the fact that the weight of 1,000 seeds was 34.8-39.1 g, while after sunflower it was 34.7-38.8 g.

Thus, a positive effect of mineral fertilizers in the rate of N90P60K60 on the indicators of individual productivity of spring barley was established, which at the same time had an impact on the overall productivity of the crop.

Grain productivity of spring barley is an integral index and is largely determined by the genotype of variety and growing conditions, and also makes it possible to evaluate the effectiveness of the elements of cultivation technology in general. After all, the application of fertilizers produces about 50% of the total yield increase.

The results of our two-year research indicate that weather conditions during the growing season also have a significant impact on barley yields.

Thus, sharp temperature fluctuations during the initial growth period and insufficient moisture supply during the subsequent period had a negative impact on barley grain yield in 2020 compared to 2019.

The average yield of spring barley grown after winter rape in two years was 36.3 c/ha in the variant without fertilization, 49.3 c/ha when N60P60K60 was applied and 58.3 c/ha when mineral fertilizer N90P60K60 was applied (Table 3).

Table 3

Spring barley grain yields depending on the effect of the predecessor and mineral fertilizers, c/ha

The predecessor	Level of mineral nutrition	2019	2020	On average over two years
Winter rape	Without fertilizer	40,1	32,5	36,3
	N60P60K60	53,0	45,6	49,3
	N ₉₀ P ₆₀ K ₆₀	64,4	52,2	58,3
Maize (for grain)	Without fertilizer	38,8	30,8	34,8
	N60P60K60	50,6	44,8	47,7
	N ₉₀ P ₆₀ K ₆₀	62,1	49,7	55,9
Sunflower	Without fertilizer	37,9	29,5	33,7
	N60P60K60	49,9	42,1	46,0
	N ₉₀ P ₆₀ K ₆₀	62,4	45,4	53,9

When using maize as a preceding crop, spring barley yields were as follows: 34.8 centners/ha - in the variant without fertilization, 47.7 centners/ha - with the use of full mineral fertilizer in the rate of 60 kg of the active substance. The highest yield in this variant was barley which was given N90P60K60 during pre-sowing cultivation and yielded 55.9 centners/ha.

On average for two years of spring barley cultivation after sunflower predecessor cultivation without mineral fertilizers ensured 33.7 c/ha of grain yield. Application of N₉₀P₆₀K₆₀ increased barley yield to 46.0 c/ha. And it was highest when 90kg of nitrogen fertilizer was applied on a phosphorus-potassium background and amounted to 53.9c/ha.

Conclusions. The average yield of spring barley grown after winter rape for two years was 36.3 centners/ha in the variant without fertilization, 49.3 centners/ha - when N60P60K60 was used and 58.3 centners/ha - when mineral fertilizer N₉₀P₆₀K₆₀ was applied.

When using maize as a preceding crop, spring barley yields were as follows: 34.8 centners/ha - for the variant without fertilization, 47.7 centners/ha - with application of full mineral fertilizer at the rate of 60 kg of the active substance. Barley had the highest yield on this variant and N₉₀P₆₀K₆₀ was used for pre-sowing cultivation, which provided 55.9 c/ha.

On average for two years of spring barley cultivation after sunflower predecessor cultivation without mineral fertilizers ensured 33.7 c/ha of grain yield. Application of N60P60K60 increased barley yield to 46.0 c/ha. And it was highest when 90kg of nitrogen fertilizer was applied on a phosphorus-potassium background and amounted to 53.9c/ha.

References

1. Електронний ресурс: <https://www.agroone.info/publication/jarij-jachmin-rik-2020/>
2. Бабич А. О. Методика проведення дослідів по кормовиробництву / за ред. А. О. Бабича. Вінниця, 1994. 96 с.
3. Методика Державного сортопробування сільськогосподарських культур (зернові, круп'яні та зернобобові культури) / за ред. В. В. Волкодава. Київ, 2001. 69 с.
4. Основи наукових досліджень в агрономії: підручник; м-во аграрн. політ. України / за ред. В. О. Єщенко. К.: Дія, 2005. 288 с.

5. Новоселов Ю. К., Харьков Г. Д., Шеховцева Н. С. Методические указания по проведению полевых опытов с кормовыми культурами. М.: Всесоюзный научно-исследовательский институт кормов им. В. Р. Вильямса, 1983. 198 с.

6. Вергунов І. М. Основи математичного моделювання для аналізу та прогнозу агрономічних процесів. К.: Нора-Прінт, 2000. 146 с.

7. Тараріко Ю. О., Несмашна О. С., Глущенко Л. Д. Енергетична оцінка систем землеробства і технологій вирощування сільськогосподарських культур: методичні рекомендації. К.: Нора-Прінт, 2001. 60 с.

8. Електронний ресурс: <https://agrarii-razom.com.ua/plants/yachmin-zvichayniy>

9. Наукові основи агропромислового виробництва в зоні Лісостепу України / під ред. М. В. Зубця. К.: Логос, 2004. 776 с.

10. Блажевський В. К. Агротехніка ярого ячменю у правобережному Лісостепу Зернові культурі. К.: Урожай, 1989. С. 237-252.

11. Електронний ресурс: <https://propozitsiya.com/ua/osoblivosti-viroshchuvannya-yachmenuyayarogo-na-pivdni>

12. Панников В. Д. Почва, климат, удобрение и урожай / В. Д. Панников, В. Г. Минеев. – М.: Колос, 1977. – 416 с.

13. Schelling K. Relationships between yield and quality parameters of malting barley and phonological and metrological data / K. Schelling, K. Born, C. Weisteiner // J. Aron. And Crop Sci. – 2003. – 189, №2. – P. 113–122.

14. Грязнов А. А. Ячмень карабалыкский / А. А. Грязнов. – Кустанай: Кустанайский печатный двор, 1996. – 448 с.

15. Лихочвор В. В. Ячмінь: [Монографія] / В. В. Лихочвор, Р. Р. Проць. Новаційний центр Львівського держ. аграрн. ун-ту. – Львів: НВФ Українські технології, 2003. – 88 с.

16. Томчук В. В. Погода, клімат і урожай біомаси. Збірник наукових праць Вінницького національного аграрного університету. Вип. 1 (57). 2012. С. 137-142.

17. Електронний ресурс: <http://studcon.org/klimatychni-umovy-vinnuckoyi-oblasti>

де важливо оцінити вплив господарської діяльності щодо землекористування, змін у землекористуванні та лісового господарства на баланс абсорбції й викидів CO² та інших парникових газів.

Розроблення стратегії розвитку земельних відносин, включивши програмні інструменти в розвиток аграрного сектору та сільських територій, також щодо покращення державної екологічної політики із раціональним використанням земельних ресурсів. Посилення роботи з підвищення правової та екологічної культури суб'єктів земельних відносин.

Введення механізму страхового захисту якісного стану орендованих земельних ділянок, що дозволить підвищити матеріальну відповідальність і зацікавленість орендарів у мінімізації негативного впливу їх господарської діяльності та підсилити контроль за використанням коштів для попередження і ліквідації наслідків цього впливу слід було б ввести.

Висновки та пропозиції. Отож, для покращення ефективності використання земель сільськогосподарського призначення, підвищення сільськогосподарського виробництва, розвитку соціальної сфери територіальних громад, потрібно об'єднати зусилля всіх: територіальних громад, бізнесових агроструктур, представників інших організацій, які працюють на території об'єднаних територіальних громад. А також в час проведення реформ держава повинна як найактивніше застосовувати свою регуляторну функцію і всі наявні важелі в управлінні сільськими територіями, в першу чергу вдосконалюючи управління земельними ресурсами.

Все це можливо, якщо забезпечити вільну конкуренцію на ринку з елементами державної регуляторної політики; запровадити систему соціального захисту населення від негативних явищ, пов'язаних із реформуванням та реорганізацією земельних відносин і аграрного сектору економіки; надати територіальним громадам більше повноважень щодо вирішення земельних питань.

Крім того, потрібно спрямувати всі зусилля на вирішення питань забезпечення охорони земель, підвищення родючості ґрунтів та екологічної безпеки сільських територій шляхом здійснення комплексу заходів відповідно до проекту землеустрою, розробку яких, у законодавчому порядку,

встановити обов'язковою для всіх землекористувачів.

Все це дасть змогу підвищити ефективність використання земельних ресурсів новоутворених територіальних громад в період проведення адміністративно-територіальної реформи в Україні, що повинна стати складовою частиною єдиної державної еколого-економічної політики, яка забезпечує раціональне використання, охорону та управління всіма земельними ресурсами, а також сприяє запровадженню узгоджених дій органів державної влади, місцевого самоврядування, землекористувачів і наукової спільноти.

Таким чином, розробка ефективних реалістичних комплексних програм щодо розвитку сільських територіальних громад, повинна стати стратегічно важливою складовою розвитку регіону, передусім з огляду на продовольчу, демографічну та екологічну безпеку України.

Література

1. Розпорядженням Кабінету Міністрів України від 31 січня 2018 року. № 60-р. Питання передачі земельних ділянок сільськогосподарського призначення державної власності у комунальну власність об'єднаних територіальних громад. Вилучено з: <https://www.kmu.gov.ua/npas/pitannya-peredachi-1>
2. Новаковський Л. Я. (2015) Довідник із землеустрою. Аграрні науки, (4 видання), 492.
3. Дорош О. (2015) Організаційно-інституціональне забезпечення територіального планування землекористування сільських територій. Економіст, (8), 22-25.
4. Боднарук І. Л. (2017) Розроблення програми з впровадження заходів щодо раціонального використання, відтворення та охорони земельних ресурсів. Конференція ЕКОГЕОФОРУМ-2017 "Актуальні проблеми та інновації" 218-219.
5. Боднарук І. Л. (2018) Еколого-економічний механізм раціонального використання, відтворення та охорони земельних ресурсів. Економіка та суспільство, (14). Вилучено з: <http://elar.nung.edu.ua/handle/123456789/5957>

**ОСНОВНІ НАПРЯМКИ НАУКОВИХ ДОСЛІДЖЕННЯ НА ОСУШУВАНИХ ҐРУНТАХ
ЛІВОБЕРЕЖНОГО ЛІСОСТЕПУ УКРАЇНИ: ІСТОРІЯ ТА СУЧАСНІ АСПЕКТИ****Воропай Г.В.,***кандидат технічних наук***Молеца Н.Б.***кандидат технічних наук**Інститут водних проблем і меліорації НААН
Україна***MAIN DIRECTIONS OF SCIENTIFIC RESEARCH ON DRAINED LANDS OF THE LEFT-BANK
FORREST STEPPE OF UKRAINE HISTORY AND MODERN ASPECTS****Voropay H.,***Ph.D in Technical Science***Moleshcha N.***Ph.D in Technical Science**Institute of Water Problems and Land Reclamation
Ukraine***АНОТАЦІЯ**

Узагальнено та проаналізовано результати досліджень на осушувально-зволожувальній системі «Ромен» за останніх 85 років. Представлені результати основних підсумків роботи сільськогосподарського освоєння осушуваних земель та впровадження наукових досягнень при меліорації боліт і перезволожених земель Лівобережного Лісостепу України. Висвітлені доцільність і актуальність використання в даний час агротехнічних прийомів ефективного освоєння осушуваних земель на прикладі наукових розробок. Наведені дані досліджень та спостережень направлені на підвищення врожайності сільськогосподарських культур вирощуваних на осушуваних землях, обробітку цілинних і староорних ґрунтів, норм, форм, строків і способів внесення мінеральних та органічних добрив. Описані наукові напрацювання можливості вирощування на осушувальних землях малопоширених культур, які є перспективними в сучасних умовах змін клімату Лісостепової зони. Наведений огляд успішних випробувань агротехніки вирощування технічних культур, створення культурних сінокосів і пасовищ. Відмічено основні напрямки по розробці водозберігаючої технології зволоження меліорованих земель, яка дає можливість покращити екологічний режим на меліоративних системах. Сучасні аспекти в експериментальних напрямках досліджень це застосування контурно-водоакумуючих систем при меліорації безстічних понижень, розроблення на основі багаторічних досліджень основних технологічних параметрів вирощування високопродуктивних кормових культур (пайзи, амаранту та кормових бобів) на осушуваних землях з урахуванням природно-кліматичних умов та конструктивно-технологічних особливостей меліоративних систем які є репрезентативними для території гумідної зони України Лівобережного Лісостепу.

ABSTRACT

The results of research on the drainage and humidification system "Romen" for the last 85 years are generalized and analyzed. The results of the main results of the work of agricultural development of drained lands and the introduction of scientific achievements in the reclamation of swamps and wetlands of the Left Bank Forest-Steppe of Ukraine are presented. The expediency and urgency of currently using agrotechnical methods of effective development of drained lands on the example of scientific developments are highlighted. The given research and observation data are aimed at increasing the yield of crops grown on drained lands, cultivation of virgin and old arable soils, norms, forms, terms and methods of mineral and organic fertilizers. The scientific developments of the possibility of growing on the drainage lands of uncommon crops, which are promising in modern conditions of climate change of the Forest-Steppe zone, are described. An overview of successful tests of agricultural techniques for growing industrial crops, creation of cultivated hayfields and pastures is given. The main directions for the development of water-saving technology of moistening of reclaimed lands, which makes it possible to improve the ecological regime on reclamation systems, are noted. Modern aspects in experimental areas of research are the use of contour-water storage systems in the reclamation of drainage depressions, development based on many years of research of the main technological parameters of growing highly productive forage crops (paise, amaranth and fodder beans) on drained lands taking into account natural climatic conditions features of reclamation systems that are representative of the territory of the humid zone of Ukraine of the Left-Bank Forest-Steppe.

Ключові слова: водний режим, врожайність, меліоративні системи, осушувані землі, сільськогосподарські культури, торфові і мінеральні землі.

Keywords: water regime, yield, reclamation systems, drained lands, agricultural crops, peat and mineral lands.

Постановка проблеми. В аграрному секторі України в останній час відбуваються як економічні так і кліматичні зміни, що вимагають звернути більшу увагу на осушувані землі в т.ч. і в зоні Лівобережного Лісостепу. Для підвищення високопродуктивного використання осушуваних земель та економічного обґрунтування доцільності інвестицій у меліоровані землі, що дасть можливість одержання додаткового прибутку, потрібно враховувати розроблені наукові технології вирощування сільськогосподарських культур на осушуваних землях при ефективному освоєнні болотних і перезволожених мінеральних земель для забезпечення оптимального водного і поживного режимів в орному шарі.

Найбільш актуальними будуть дослідження, спрямовані на вдосконалення водорегулювання меліоративних об'єктів при дотриманні оптимального водно-повітряного і поживного режимів осушуваних ґрунтів, економічних та екологічних вимог згідно з положеннями «Стратегії...» [1]. Адже, глобальні та регіональні кліматичні зміни, які характеризуються переважно, стійким підвищенням температурного режиму, істотно вплинули на умови водозабезпечення України [2].

Важливе значення має узагальнення багаторічних досліджень ІВПіМ НААН, проведених на базі осушувально-зволожувальної системи «Ромен» Сульського дослідного поля в умовах Лівобережного Лісостепу. За час роботи науково-дослідної установи зібрана значна кількість матеріалів ефективного використання осушуваних земель, встановлені норми осушення для окремих сільськогосподарських культур і підібрані найбільш урожайні сорти, розроблені середні норми внесення добрив під основні культури, вивчені способи основного обробітку ґрунту з врахування ступеня окультуреності ґрунтів. Проведена значна робота по розробці наукових основ створення сівозмін, розроблені прийоми вирощування високих врожаїв сільськогосподарських культур і способи боротьби з бур'янами, вдосконалені технології регулювання водно-повітряного режиму за допомогою експериментальних перевірок у виробничих умовах нових типів меліоративних систем.

Без наявності інтенсивних технологій, адаптованих до змін клімату в умовах дефіциту природного вологозабезпечення, вирощування сільськогосподарських культур стає нерентабельним. Це стосується і використання осушуваних земель Лівобережного Лісостепу. Адже ефективність осушувальних меліорацій і використання меліорованих земель залежить від оптимального поєднання технічних, технологічних та організаційних рішень, які базуються на аналізі та узагальненні набутого досвіду багаторічних досліджень, проведених в цьому регіоні, та розробленні на цій основі методології ведення комплексних меліорацій враховуючи особливості сільськогосподарського використання осушуваних земель та сучасні кліматичні зміни [3].

Залишаються актуальними дослідження прийомів оптимізації технологічних і внутрішніх умов

для підвищення ефективності використання природних ресурсів шляхом програмування врожайності культур. В умовах нестійкого природного зволоження даного регіону важливим є на сьогодні оптимізація зовнішніх умов для вирішення проблеми доцільності розвитку зрошення з визначенням основних параметрів [4].

• Сучасним аспектом реалізації водорегулюючих заходів на осушуваних землях є застосування ресурсощадливих технологій регулювання водного режиму, в основу яких покладено обґрунтування доцільності застосування невеликих норм зрошення, що є актуальним, як показує наявний досвід, в умовах лімітованої кількості поверхневого і дренажного стоку.

Метою досліджень є узагальнення багаторічних наукових досліджень в зоні Лівобережного Лісостепу України (на осушувально-зволожувальній системі «Ромен») та його використання для наукового забезпечення сучасного функціонування водорегулюючих систем та підвищення продуктивності осушуваних земель в умовах змін клімату.

Історична довідка. Впровадження широкомасштабної програми меліорації земель на початку минулого сторіччя зумовило необхідність розробки науково обґрунтованих заходів ефективного осушення і високопродуктивного використання введених в сільськогосподарське виробництво боліт та заболочених земель, наукових досліджень впливу осушувальних систем на вирощування сільськогосподарських культур в зоні Лівобережного Лісостепу. Тому за рішенням Наркомзему УРСР було створено Сульське дослідне поле по освоєнню боліт (на осушувально-зволожувальній системі «Ромен» на базі Рудня-Радовельської болотної дослідної станції).

Дослідне поле, яке засноване у 1932 р., було одним із найстаріших дослідних установ зони Лісостепу України. До складу дослідного поля входило два наукових відділи (агротехнічної та осушення), на його території було встановлено метеорологічну станцію та організовано агротехнічну лабораторію.

Першими науковими співробітниками були С.А.Паляничко, Н.К.Сергієвський, А.П.Доценко, С.С.Гладун, М.К.Ковалевич, В.С. Максименко, І.І. Гайдар, Г.Н. Коваленко, М.Ф. Величко та ін.

Дослідження агротехнічних прийомів вирощування зернових і кормових культур на осушуваних землях проводилися науковцями дослідного поля під керівництвом член-кореспондента Академії наук, доктора сільськогосподарських наук М.О.Тюленева [5]. Згодом наукові дослідження з різних питань наукового забезпечення використання осушуваних земель Лівобережного Лісостепу проводили вчені ІВПіМ НААН О.В.Скрипник, М.М.Мостовий, В.Р.Гімбаржевський, М.В.Яцик та ін. [5,6].

Методика досліджень. Системний аналіз та узагальнення багаторічних даних польових досліджень за період 1935–2020 рр. є основними методами для написання статті. Дослідження і спостереження проводили загальноприйнятими в меліоративному землеробстві методами в стаціонарних

польових дослідках на осушуваних землях в лісостеповій частині Лівобережжя, які є частиною осушувально-зволожувальної системи «Ромен».

Об'єкт знаходиться на осушеному болоті заплави р. Ромен, походження і тип характерні для умов Лісостепової зони України. Дослідні ділянки розміщені на таких землях: мінеральні ґрунти II надзаплавної тераси з різко вираженими мікропониженнями та глибокі, середні і мілкоторфові торф'яники. Територія дослідних ділянок займає приуслову заплаву в коритоподібній долині р. Ромен.

Ґрунтоутворювальні породи долини р. Ромен – це алювіальні лесовидні карбонатні суглинки, які є продуктами розмивання та відкладання лесу. Материнськими ґрунтоутворювальними породами надмірно перезвожених ґрунтів є лесовидні супіски і суглинки, переважно легкого та середнього механічного складу, а також флювіогляціальні піски з прошарками супісків і суглинків[7].

В основному масив заплави складають торфові багатозольні ґрунти (зольність 20–50 %). Найбільш поширені тут глибокоторфові (торфовий шар 1,5 м та більше) та середньоторфові (торфовий шар 1,0–1,5 м) ґрунти. Мілкоторфові ґрунти зустрічаються серед них острівцями.

Оторфовані ґрунти (зольність 50–85 %) займають приуслову смугу лівого берега та периферійні ділянки болота. В місцях переходу від заплави до тераси залягають дернові наносні ґрунти.

Торфові та оторфовані ґрунти сформувалися на низинному трав'янистому алкалітрофному болоті. Заболочування заплави і утворення цих ґрунтів зумовлене надмірним зволоженням, яке пов'язане з малим стоком повеневих та делювіальних вод, що надходять на заплаву з корінного берега, і близьким заляганням ґрунтових вод від поверхні.

Основними рослинами-торфоутворювачами є осока, очерет, бобівник, хвощ, водяна лілія, болотні злаки, зелені гіпнові мохи та вільха.

Ботанічний склад торфу в основному різнотравно-осоково-гіпновий. Глибина залягання торфу на дослідній ділянці становить 1,2 – 1,0 м. Торфові ґрунти дослідної ділянки, як і в переважній більшості всі торфово-болотні ґрунти, багаті азотом, карбонатами, залізом, окислами. Верхній горизонт (потужність 0,25 м) дещо збагачений калієм, проте в нижчих горизонтах калію і фосфору дуже мало.

В результаті повеней найбільш мінералізованими стали торфові ґрунти приуслової частини і периферійні ділянки заплави. За результатами агрохімічних досліджень на меліоративній системі „Ромен” у скидних водах міститься середньому: нітратів 0,9–3,7; аміаку 3,7–6,4; фосфору 0,3–0,4; калію 2,0–2,7; гідрокарбонатів 113–391 мг/л[7].

Для торфових ґрунтів Сульського дослідного поля (як і для всіх заплавних земель Лісостепу України) характерна висока щільність складення ґрунту (в порівнянні з ґрунтами Полісся України та інших ґрунтово-кліматичних зон), оскільки вони при щорічних розливах замулюються значною кількістю мінеральних часток[5].

Тому в умовах погіршення природного вологозабезпечення внаслідок зростання дефіциту річного водного балансу через збільшення сумарного випаровування на фоні практично незмінної кількості опадів регулювання водного режиму на осушуваних землях стає не тільки обов'язковою, але і визначальною складовою інтенсивних технологій вирощування сільськогосподарських культур, без наявності яких стає та ефективно землеробство в регіонах з нестійким природним зволоженням стає практично неможливим [2].

Результати досліджень. За більш як 85-річний період проведення експериментальних досліджень на осушувально-зволожувальній системі «Ромен» науковцями Сульського дослідного поля та ІВПіМ НААН отримано значну кількість наукових розробок щодо ефективного використання осушуваних земель в умовах Лівобережного Лісостепу, встановлені норми осушення для ряду сільськогосподарських культур, підібрані найбільш урожайні сорти культур та розроблені оптимальні норми внесення добрив при їх вирощуванні, вивчені способи основного обробітку ґрунту з врахуванням ступеня окультуреності ґрунтів. Окрім наукових напрацювань щодо вдосконалених технологій регулювання водно-повітряного режиму при вирощуванні ряду сільськогосподарських культур розроблено також нові конструкції меліоративних систем, які пройшли перевірку у виробничих умовах [5,6].

За багаторічний період проведення наукових досліджень розроблено основні агро меліоративні прийоми вирощування ряду сільськогосподарських культур (строки, способи обробітку ґрунту та удобрення, способи сівби, попередники, підібрані сорти, норми висіву) в умовах осушуваних земель зони Лівобережного Лісостепу.

Важливими науковими напрацюваннями є розробки з вирощування на осушуваних землях малопоширених культур, які є перспективними для вирощування в зоні Лівобережного Лісостепу: м'яти перцевої (урожайність 4,2 т/га); цикорію (корені 25,0–55,0 т/га); коноплі (соломки 12,0–13,0 т/га, насіння 0,4–0,5 т/га); махорки (2,9–4,3 т/га); коляндри (коріандр, кінза) (0,6 т/га), гармали або садової рути (0,2 т/га); амаранту прямиостяого (насіння 0,9 т/га); амаранту різнонасіневого (насіння 0,5 т/га); мексиканського томату (фізаліс) (1,8 т/га); топінамбуру (корені 8,9 т/га); маку олійного (насіння 0,5 т/га) та ін. Результати досліджень свідчать, що ці культури мають високу рентабельність та перспективні для даного регіону[3].

На осушуваних землях Лівобережного Лісостепу також успішно пройшла випробування агротехніка вирощування технічних культур, зокрема цукрових та кормових буряків (урожайність цукрових коренеплодів становить 45,0–58,0 т/га, кормових 82,0–98,0 т/га), та кукурудзи на силос (урожайність 60,0–80,0 т/га). Протягом 60–80-х рр. минулого століття на дослідному полі проводилися дослідження з розробки комплексу агротехнічних заходів для забезпечення високих врожаїв картоплі при повній механізації процесів її вирощування.

Середня багаторічна урожайність картоплі на торфових ґрунтах становить 39,5 т/га на мінеральних – 25,2 т/га [3].

Для осушуваних торфових ґрунтів регіону розроблено та рекомендовано диференційовану систему обробітку ґрунту, яка залежить від потужності торфового шару, ступеня вологості торфу, його розкладу, часу проведення та біологічних особливостей вирощуваних культур. Встановлено, що глибока оранка підвищує урожайність сільськогосподарських культур (до 30%) в порівнянні з поверхневим способом обробіткою ґрунту [5].

Для різних типів осушуваних ґрунтів Лівобережного Лісостепу розроблені і впроваджені у господарствах технології створення високопродуктивних сінокосів, які базуються на оптимальному виборі високопродуктивних травосумішей багаторічних трав, визначенні способів, строків і норм сівки лучних трав. Ці технології сприяли одержанню високих урожаїв багаторічних трав у різних травосумішках (сіна – 11,0–17,0 т/га, зеленої маси – 50,0–70,0 т/га), що дозволило отримувати господарствам високоякісні корми: сіно, сінаж, силос, трав'яну муку, зелену масу [5].

Розроблено та проведено випробування технологій використання мінеральних і органічних добрив та проведення передпосівного обробітку насіння вирощуваних культур біопрепаратами, під впливом яких відбувається підвищення активності азотфіксації. Це сприяє покращенню поживного режиму ґрунту завдяки формуванню розвиненої кореневої системи рослин та дає можливість одержати прибавку врожаю від 9 % до 22 %, в залежності від культури. Встановлено, що підвищення родючості осушуваних ґрунтів можливе при включенні до сівозміни багаторічних бобових трав. Це забезпечує в орному шарі ґрунту бездефіцитний баланс гумусу (валовий вміст азоту становить 110–170 кг/га, фосфору – 46–73 кг/га та калію – 37–61 кг/га). В комплексі зі звичайною оранкою на глибину до 22,0–23,5 см органо-мінеральна система удобрення сприяє підвищенню продуктивності зерно-кормової сівозміни на 40 % [8,9]. Люцернові сівозміни на осушуваних ґрунтах дають змогу не тільки отримувати високоякісні корми для тваринництва, але і сприяють підвищенню родючості ґрунту та врожайності інших культур в сівозміні при мінімальних дозах фосфорно-калійних добрив [9,10].

На основі польових досліджень визначено оптимальне співвідношення внесення сапропелю, мулу, гною і мінеральних добрив та дана економічна та агроекологічна оцінка ефективності їх застосування при вирощуванні різних сільськогосподарських культур на осушуваних землях [5].

Для проведення комплексу наукових досліджень з розробки вдосконалених технологій регулювання водно-повітряного режиму при вирощуванні сільськогосподарських культур та конструкцій меліоративних систем на осушувально-зволожувальній системі «Ромен» влаштовано варіанти дослідних ділянок, на яких передбачено осушувальні заходи з використанням матеріального

дренажу зі зрошенням; осушувальні заходи з використанням безуклонного дренажу з підґрунтовим зволоженням за допомогою шлюзів-регуляторів; осушувальні заходи з використанням традиційного гончарного дренажу; осушувальні заходи з використанням гончарного дренажу з підґрунтовим зволоженням; осушувальні заходи з використанням гончарного дренажу з автоматизованою системою подачі води в гирло дрени при циклічному регулюванні. На території осушувально-зволожувальної системи «Ромен» побудовано акумулюючу ємкість, наповнення якої здійснюється шляхом збору дренажно-скидних вод та самопливом з магістрального каналу (р. Ромен). Подача води на зволоження з ємкості на дослідні ділянки проводиться самопливом.

За період проведення наукових досліджень розроблена ресурсозберігаюча технологія водорегулювання, в основу якої покладено обґрунтування доцільності застосування невеликих норм зрошення. Впровадження цієї технології на осушувальних землях Лівобережного Лісостепу свідчить те, що при її застосуванні можливо забезпечити зменшення на 25–33% витрат водних і енергетичних ресурсів, збільшити на 15–30% урожайність сільськогосподарських культур та збільшити рентабельність господарств до 40 % [11].

Важливим здобутком у напрямку розробки нових конструкцій меліоративних систем є створення сумішених водорегулюючих систем з безпохилими та малопохилими дренами і водорегулюючими вузлами. Такі системи дали можливість збільшити коефіцієнт земельного використання, підвищити продуктивність механізованих сільськогосподарських робіт, забезпечили оперативність управління водним режимом, що дало можливість підвищити на до 25 % врожайність сільськогосподарських культур [5].

Розроблені, експериментально перевірені та побудовані в ряді господарств конструкції для меліорації земель з безстічними пониженнями (локальні контурно-водоакумулюючі системи), які успішно працюють вже понад 25 років. Застосування контурно-водоакумулюючих систем дозволило замінити дренажно-колекторну мережу, дренажні колодязі і відкриті канали контурними водопоглинаючими конструкціями із застосуванням місцевих фільтраційних матеріалів, що дозволило отримати економію вартості їх будівництва до 60 % (в залежності від рельєфу та ґрунтово-геологічних умов). Такі системи дозволяють забезпечити оптимальний водно-повітряний режим в активному шарі ґрунту на території із безстічними пониженнями, що дозволяє отримувати стабільні врожаї вирощуваних культур. Головною перевагою локальних контурно-водоакумулюючих систем є можливість збору і перерозподілу місцевого стоку в водоакумулюючих траншеях та повторного його використання для зволоження в посушливі періоди [12].

З метою підвищення водозабезпеченості території меліоративних систем в ІВПіМ НААН розроблена технологія накопичення об'ємів води та дре-

нажного стоку в акумулюючій ємкості, яка апробована на осушувально-зволожувальній системі «Ромен». Апробація розроблених технологічних рішень щодо підвищення водозабезпеченості показала, що в умовах середнього за кількістю опадів вегетаційного періоду при вирощуванні багаторічних трав першого та другого укосів потенційний об'єм акумулювання дренажного стоку з площі 14,9 га є достатнім для зволоження території пілотних ділянок і становить 46,3 тис. м³, при цьому фактичний об'єм води, поданий на зволоження, складає 21,45 тис. м³ [13].

Отже, в умовах змін клімату, зростаючого дефіциту водних ресурсів забезпечення ефективного управління водним режимом осушуваних ґрунтів можливе шляхом підвищення водозабезпеченості меліоративних систем, що досягнуто завдяки створенню резервних об'ємів води в акумулюючій єм-

кості за рахунок накопичення поверхневого та дренажного стоку. Підвищення врожайності багаторічних трав на зелену масу в умовах підґрунтового зволоження подачею води в дренажну систему з акумулюючої ємкості становить понад 30 % [14].

На даний час, враховуючи досвід проведених досліджень у попередні роки, на осушувально-зволожувальній системі «Ромен» проводяться регіональні експериментальні дослідження з вирощування малопоширених, однак високопродуктивних та перспективних кормових культур (пайзи, амаранту та кормових бобів) в умовах Лівобережного Лісостепу. Визначено оптимальні меліоративні режими та технологічні параметри водорегулювання (норми рівня ґрунтових вод (таблиця 1) та вологості в кореновому шарі ґрунту) впродовж періоду вегетації при вирощуванні високопродуктивних кормових культур на осушуваних ґрунтах.

Таблиця 1.

Рекомендований РГВ при вирощуванні пайзи, амаранту та кормових бобів на осушуваних землях

Фаза вегетації	Рівень ґрунтових вод, м (у чисельнику – оптимальний; у знаменнику - найменший допустимий)					
	передпосівний період	сходи-кущення	вихід у трубку	викидання волоті	цвітіння	достигання насіння
Пайза						
Торфові ґрунти	0,50-0,55	<u>0,60-0,65</u> 0,65-0,70	<u>0,60-0,75</u> 0,75-0,85	<u>0,60-0,75</u> 0,75-0,85	<u>0,75-0,85</u> 0,90-0,95	<u>0,75-0,90</u> 0,9-1,0
Мінеральні ґрунти	0,50-0,60	<u>0,60-0,70</u> 0,70-0,75	<u>0,65-0,75</u> 0,80-0,85	<u>0,65-0,75</u> 0,80-0,85	<u>0,80-0,90</u> 0,90-1,0	<u>0,85-0,90</u> 1,0-1,1
Амарант						
Фаза вегетації	передпосівний період	сходи-поява справжнього листка	викидання волоті	цвітіння	достигання насіння	
Торфові ґрунти	0,60-0,65	<u>0,60-0,65</u> 0,65-0,75	<u>0,60-0,70</u> 0,70-0,80	<u>0,65-0,80</u> 0,80-0,90	<u>0,80-1,0</u> 1,0-1,1	
Мінеральні ґрунти	0,50-0,60	<u>0,60-0,70</u> 0,70-0,75	<u>0,65-0,75</u> 0,75-0,80	<u>0,70-0,85</u> 0,90-1,0	<u>0,85-1,0</u> 1,0-1,1	
Кормові боби						
Фаза вегетації	передпосівний період	сходи-поява справжнього листка	бутонізація	цвітіння	утворення бобів	достигання насіння
Торфові ґрунти	0,55-0,65	<u>0,55-0,65</u> 0,70-0,75	<u>0,60-0,65</u> 0,70-0,75	<u>0,65-0,80</u> 0,80-0,90	<u>0,75-0,90</u> 0,90-1,0	<u>0,90-1,0</u> 1,1-1,2
Мінеральні ґрунти	0,55-0,65	<u>0,60-0,70</u> 0,70-0,75	<u>0,60-0,70</u> 0,70-0,75	<u>0,65-0,75</u> 0,80-0,90	<u>0,80-0,90</u> 0,90-1,0	<u>1,0-1,1</u> 1,1-1,2

Оптимальні меліоративні режими та технологічні параметри водорегулювання враховують особливості водоспоживання кормових культур, їхні біологічні та господарські характеристики, а також особливості їх вирощування в залежності від типу ґрунту [15].

За результатами експериментальних досліджень, проведеними науковцями ІВПіМ НААН (2016–2020 рр.) на системі «Ромен» розроблено науково-методологічні засади управління водним режимом при вирощуванні перспективних кормових культур на осушуваних землях на основі визначення: впливу агрокліматичних умов на вирощування пайзи, амаранту та кормових бобів; вимог культур до регулювання водно-повітряного режиму ґрунту (допустимі терміни, у які меліоративна система має забезпечити відведення надлишкових вод;

рекомендовані РГВ та норми вологості в кореновому шарі ґрунту протягом вегетаційного періоду); вимог культур до регулювання поживного режиму ґрунту (вапнування кислих ґрунтів, внесення органічних та мінеральних добрив та мікродобрив); основних технологічних параметрів вирощування пайзи, амаранту та кормових бобів, в т.ч. за фазами розвитку зазначених культур та з врахуванням критичних періодів їх оптимального вологозабезпечення, оптимальні режими зволоження (осушення), агротехнічні заходи та оптимальні норми удобрення при вирощуванні на органогенних та мінеральних ґрунтах.

Для мінеральних осушуваних ґрунтів середня вологість в шарі 0–0,3 м на початок сівби має становити 0,75–0,80 % ПВ. Дотримання оптимальних

технологічних параметрів водорегулювання на початку вегетації та на період сходо-пооява справжнього листка, який припадає на критичний період їх вирощування забезпечило урожайність цих культур на рівні середніх показників. Важливим показни-

ком у польовому кормовиробництві є кормова цінність тої чи іншої культури, від якої власне залежить як швидко вона піде у виробництво. Показники виходу кормових одиниць по досліджуваних видах малопоширених кормових культур наведено в таблиці 2.

Таблиця 2.

Показники виходу кормових одиниць високопродуктивних кормових культур, осушувально-зволожувальна система «Ромен», 2017–2020 рр.

Культура	Удобрення	Вихід кормових одиниць, ц/га				
		2017	2018	2019	2020	Середнє
Кормові боби	Без добрив	28,1	54,3	57,1	49,3	47,2
	N ₃₀ P ₃₀ K ₃₀	35,2	63,5	65,4	56,8	55,2
Амарант	Без добрив	32,0	43,4	35,7	45,7	39,2
	N ₃₀ P ₃₀ K ₃₀	36,7	49,9	41,2	57,5	46,3
Пайза	Без добрив	59,0	74,4	59,8	65,8	64,7
	N ₃₀ P ₃₀ K ₃₀	68,1	85,3	72,4	77,5	75,8

Як показали наші розрахунки, при вирощуванні кормових культур вихід кормових одиниць з 1 га, на пряму залежить від удобрення: зеленої маси кормових бобів становив 47,2–55,2 ц/га, амаранту – 39,2–46,3 ц/га та пайзи – 64,7–75,8 ц/га. Найвищими показниками виходу кормових одиниць досліджуваних культур є пайза, хоча кормові боби попри найнижчу урожайність вегетативної маси мають середні показники виходу кормових одиниць, що пояснюється їхньою високою кормовою цінністю.

Експериментальними дослідженнями доведено, що такі кормові культури як пайза, амарант та кормові боби мають значний адаптивний і продуктивний потенціал при вирощуванні в екстремальних агрокліматичних умовах, ряд біологічних переваг та особливостей, які вказують на доцільність їх вирощування в складних ґрунтово-кліматичних умовах осушуваних земель.

Враховуючи сучасні тенденції особливостей змін клімату, зростаючого дефіциту водних ресурсів, виникає необхідність у корегуванні водорегулювання на меліорованих територіях Лівобережного Лісостепу, проведення адаптаційних заходів у напрямку оптимізації конструктивно-технологічних характеристик меліоративних систем гумідної зони для підвищення водозабезпеченості їх територій шляхом відновлення ефективного використання осушуваних земель [14].

Висновки. Сучасними аспектами використання осушуваних ґрунтів Лівобережного Лісостепу України в умовах змін клімату є забезпечення ефективного функціонування водорегулюючих систем на основі отриманих за більш як 85-річний період проведення наукових досліджень (на прикладі осушувально-зволожувальної системи «Ромен») значної кількості наукових розробок щодо технологій вирощування сільськогосподарських культур (в т. ч. і ресурсозберігаюча технологія водорегулювання, в основу якої покладено застосування невеликих норм зрошення), розроблені оптимальні норми внесення добрив при їх вирощуванні, вивчені способи основного обробітку ґрунту з врахуванням ступеня окультуреності ґрунтів, розроблено нові

конструкції меліоративних систем (суміщені водорегулюючі системи з безпохилими та малопохилими дренами та водорегулюючими вузлами; локальні контурно-водакумулюючі системи), які пройшли перевірку у виробничих умовах.

Не викликає сумніву, що на сучасному етапі, подальше використання осушених земель Лівобережного Лісостепу повинне базуватися на врахуванні сучасних природних ресурсів, що дозволить підвищити врожайність культур та створить надійну кормову базу. Враховуючи існуючий досвід наукових розробок, для забезпечення збереження потенційної родючості осушуваних земель Лівобережного Лісостепу та відновлення ефективності використання цих земель, розроблено науково-методологічні основи управління водним режимом при вирощуванні високопродуктивних кормових культур (пайзи, амаранту, кормових бобів), які враховують ґрунтово-кліматичні умови зони та зростання дефіциту водних ресурсів.

Література

1. Стратегія зрошення та дренажу в Україні на період до 2030 року. Схвалено Кабінетом Міністрів України, 2019. № 688-р.
2. Вплив кліматичних змін на вологозабезпечення території України та виробництво сільськогосподарської продукції / Ромашенко М.І. та ін. // «Вода для всіх»: присвячено Всесвітньому дню водних ресурсів: Міжнар. наук.-практ. конференція: тези доп. Київ, 2019. С. 179–180.
3. Воропай Г.В., Молеца Н.Б., Мозоль Н.В. Узагальнення наукового досвіду та сучасні аспекти його використання для забезпечення ефективного функціонування водорегулюючих систем в зоні Лівобережного Лісостепу України // Меліорація і водне господарство. 2020. №1. С.23–31.
4. Харченко О.В. Ресурсне забезпечення та шляхи оптимізації умов вирощування сільськогосподарських культур у Лісостепу України. Монографія. – Суми: ВТД «Університетська книга», 2005. 342 С.

5. Гімбаржевський В.Р. Освоєння боліт та перезволожених земель у гумідній зоні України// Меліорація і водне господарство. 2004. Вип.90. С.133–151.
6. Скрипник О.В., Яцик М.В., Чалий Б.І., Ворошнова Л.М., Тищенко О.І. Створення та експлуатація водорегулювальних систем у гумідній зоні// Меліорація і водне господарство. 2004. Вип.90. С. 124-132.
7. Цветова О.В., Молеца Н.Б., Тураєва О. В. Закономірності трансформації меліорованих земель лівобережного лісостепу в процесі їх тривалого використання// Меліорація і водне господарство. 2014. Вип.101. С.272–280.
8. Натальчук А.М. Збереження родючості осушуваних ґрунтів у сучасних умовах// Меліорація і водне господарство. 2009. Вип.97. С.94–101.
9. Гімбаржевський В.Р. Ефективність біомеліорації на осушуваних лучних ґрунтах Лівобережного Лісостепу України/ Кулинич В.В.// Меліорація і водне господарство. 2005. Вип. 92. С. 75 – 83.
10. Гімбаржевський В.Р. Бобово-злакові травосумішки на осушуваних ґрунтах Лівобережного Лісостепу України / Ярош А. В. //Меліорація і водне господарство. 2004. Вип.91. С.112–121.
11. Яцик М.В., Скрипник О.В., Ворошнова Л.М., Воропай Г.В., Мозоль Н.В. Ресурсоощадна технологія водорегулювання на меліорованих землях у зоні надлишкового зволоження. // Меліорація і водне господарство. 2009. Вип. 97. С. 67– 76 .
12. Скрипник О.В., Яцик М.В., Ворошнова Л.М., Молеца Н.Б. Ресурсоощадна меліорація перезволожених земель зі складним рельєфом. // Вісн. аграр. науки. 2005. №5. С. 32—35.
13. Яцик М.В., Воропай Г.В., Молеца Н.Б. Підвищення водозабезпеченості меліоративних систем гумідної зони./ Меліорація і водне господарство. 2016. Вип.103. С.63–68.
14. Воропай Г.В., Яцик М.В., Мозоль Н.В. Стан та перспективи розвитку осушувальних меліорацій в умовах змін клімату // Меліорація і водне господарство. 2019. №2. С.31–39.
15. Яцик Н.В., Воропай Г.В., Кіка С.М. Обґрунтування режимів водорегулювання при вирощуванні високопродуктивних кормових культур на осушуваних землях / Н.В. Яцик, Г.В. Воропай, С.М. Кіка // Вісник аграрної науки. 2019. № 5 С. 60 – 67.

PHARMACEUTICAL SCIENCES

DOMESTIC PHARMACEUTICAL MARKET RESEARCH OF PHYTOPREPARATIONS WITH EXPECTORANT PROPERTIES

Shyrko A.,

*I. Horbachevsky Ternopil National Medical University MoH of Ukraine,
Student of the Pharmaceutical Faculty, Ternopil, Ukraine*

Budniak L.,

*I. Horbachevsky Ternopil National Medical University MoH of Ukraine,
PhD (Pharmacy), Assistant of the Department of Pharmacy Management, Economics and Technology, Ternopil, Ukraine*

Vasenda M.,

*I. Horbachevsky Ternopil National Medical University MoH of Ukraine,
PhD (Pharmacy), Associate Professor of the Department of Pharmacy Management, Economics and Technology, Ternopil, Ukraine*

Pokotylo O.,

*I. Horbachevsky Ternopil National Medical University MoH of Ukraine,
PhD (Pharmacy), Associate Professor of the Department of Pharmacy Management, Economics and Technology, Ternopil, Ukraine*

Sinichenko A.

SHEI «Ivano-Frankivsk National Medical University», PhD (Pharmacy), Department of Organization and Economics and Drug Technology, Ivano-Frankivsk, Ukraine

ABSTRACT

The aim of the study is a research of assortment of phytopreparations with expectorant properties in the Ukrainian pharmaceutical market. The assortment research was carried out in accordance with the State Register of Medicines of Ukraine, handbook of drugs Compendium online, Anatomical-therapeutic-chemical classification (group of drugs code R05C A "expectorants"), Internet resources for finding drugs in pharmacies of Ukraine "GeoApteka" and "Tabletki.ua". According to the data of the State Register of Medicines of Ukraine (as in October 2020) 86 trade names of pharmaceuticals with expectorant properties have been presented in 93 assortment positions. It's established that domestically produced drugs are dominated (70%) in the pharmaceutical market of Ukraine. The leaders among the Ukrainian manufacturers are Pharmaceutical Factory "Viola" (23%), PJSC "Liktravy" (20%) and LLC "Ternopharm" (17%). Among the countries-importers of phytopreparations Germany ranks first place (50%). The assortment of the monocomponent preparations with expectorant properties is significant in the pharmaceutical market and consists 65%, amount of two- and multi-component preparations is lower and consists 17.5%. Considering that the demand for herbal preparations is constantly increases, in comparison with synthetic ones, it's advisable to further increasing the nomenclature of phytopreparations with expectorant properties.

Keywords: phytopreparations, expectorant properties, pharmaceutical market research, marketing.

Introduction. Expectorants, like mucoactive agents, increase secretion of mucins and are defined as drugs that induce discharge or expulsion of mucus from the respiratory tract [1]. Although it has been thought that synthetic agents more effective and widespread, however, medicinal plants are not less important and actual, taking into account that they are their chemical analogues and often model an action of its biologically active substances [2]. The advantage of herbal preparations against synthetic ones is that they rarely cause side effects and are well tolerated by patients regardless of age [3, 4, 5]. Expectorant phytopreparations include products based on marshmallow roots, ivy leaves, pine buds, mother-and-stepmother leaves, licorice root, root ergot, oregano, violet herb and other plant raw materials.

The aim of the study is a research of assortment of phytopreparations with expectorant properties in the Ukrainian pharmaceutical market.

Materials and methods. The object of the study was data about registered medicines in Ukraine from

the website "Regulatory documents of the Ministry of Health of Ukraine".

The assortment research was carried out in accordance with the State Register of Medicines of Ukraine, handbook of drugs Compendium online, Anatomical-therapeutic-chemical classification (group of drugs code R05C A "expectorants"), Internet resources for finding drugs in pharmacies of Ukraine "GeoApteka" and "Tabletki.ua" [6]. Such methods as marketing, mathematical and statistical methods of research, logical and graphic generalization were used for analyzing data [7]. The scientific information has been systematized and presented in diagrams with explanations and conclusions [8].

Results. According to the data of the State Register of Medicines of Ukraine [9] (as in October 2020) 86 trade names (TN) of pharmaceuticals with expectorant properties are presented in 93 assortment positions (AP).

The Ukrainian pharmaceutical market of phytoexpectorants is presented by foreign (30 %; 26 TN) and domestic (70 %; 60 TN) drugs' manufacturers.

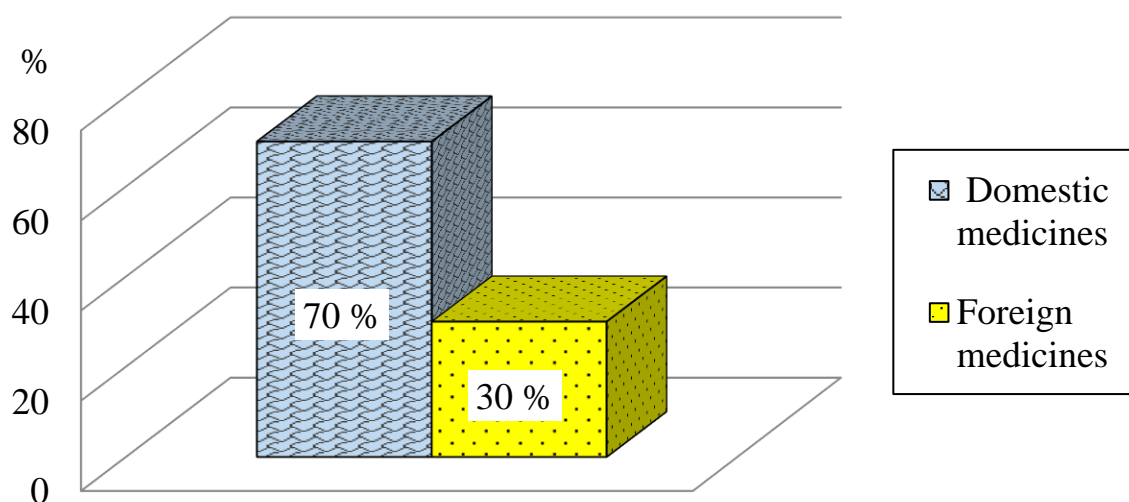


Fig. 1. The correlation between domestic and imported phytopreparations with expectorant properties.

Among the domestic manufacturers, the leader according to nomenclature of medicines is PJSC Pharmaceutical Factory "Viola", PJSC "Liktravy" and LLC "Ternopharm", which has about 60% of the assortment (Table 1).

Table 1.

Domestic companies-manufacturers of phytopreparations with expectorant properties

Name of manufacturer	Number of trade names of phytopreparations	Correlation between amount of phytopreparations, %
PJSC Pharmaceutical Factory "Viola"	14	23
PJSC "Liktravy"	12	20
LLC "Ternopharm"	10	17
JSC "Galichpharm"	5	7
Sanofi-Aventis Ukraine LLC	3	5
LLC "Pharmaceutical company" Health"	2	3
LLC "Research and production pharmaceutical company" Aim"	2	3
PJSC "Phytopharm"	2	3
PJSC "Farmak"	2	3
LLC Research Plant "GNCLS"	1	2
State Enterprise "Experimental Plant of Medical Preparations IBONH NAS of Ukraine"	1	2
LLC "DKP" Pharmaceutical Factory"	1	2
PJSC "Vitamins"	1	2
PJSC "Pharmaceutical firm" Darnitsa"	1	2
PJSC "Chimpharmzavod" Chervona zirka "	1	2
PJSC "Research and Production Center" Borshchahiv Chemical and Pharmaceutical Plant "	1	2
LLC "Ukrainian Pharmaceutical Company"	1	2

Phytopreparations with expectorant properties are supplied to the Ukrainian market by manufacturers from 6 countries. The analysis of the State Register of Medicinal Products allowed to establish the share of each country-producer in the product range. The leaders are phytoexpectorals are manufactured in Germany

(50%; 13 TN) and Austria (19%; 5 TN). Other countries, with low-import level of expectorants, in whole occupy about 31% of the Ukrainian pharmaceutical market (Fig. 2).

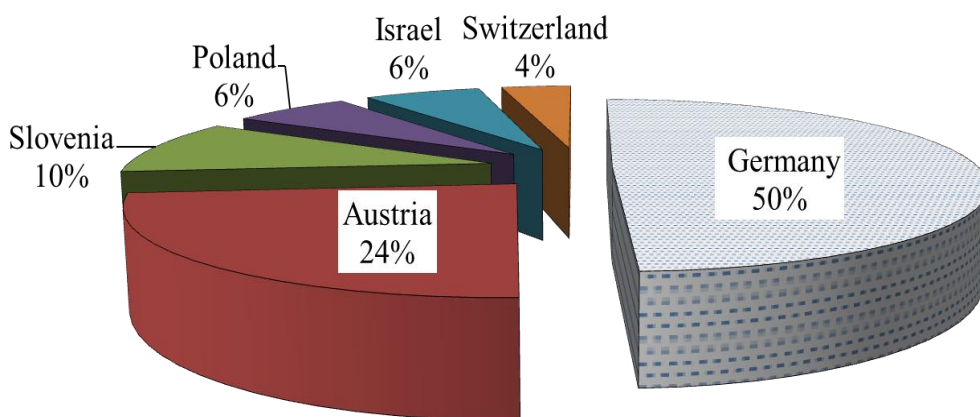


Fig. 2. The correlation between producer's countries for several registered phytoexpectorants in the pharmaceutical market of Ukraine.

Depending on the number of ingredients in the drugs they are divided into monocomponent, two-component and combined. Among the registered phyto-preparations with expectorant properties 65% (56 TN)

of the assortment are formed by monopreparations, the share of two-component and multicomponent preparations is the same and equals 17.5% (15 TN) (Fig. 3).

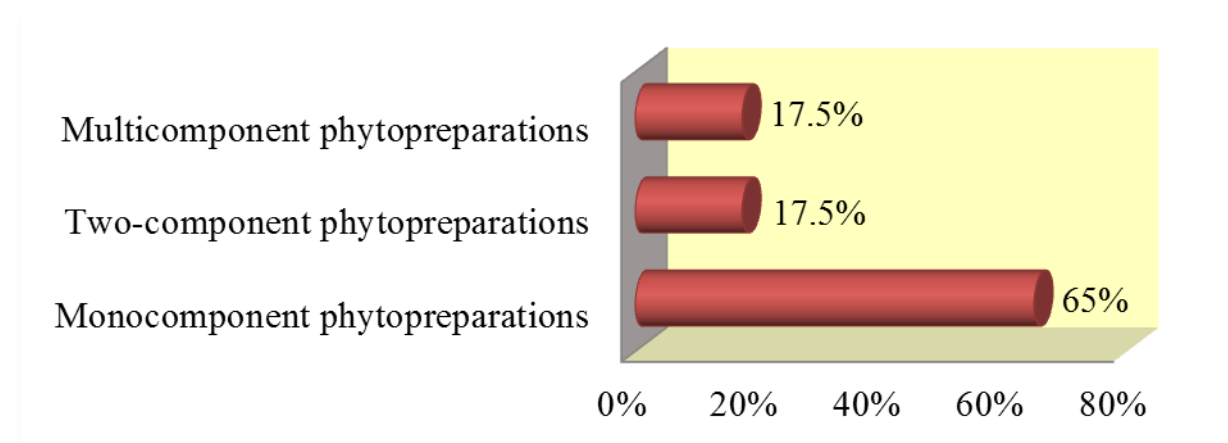


Fig. 3. Phytoexpectorants' distribution according to the components' structure.

In the pharmaceutical market of Ukraine, researched medicines are presented in various dosage forms (Fig. 4). The most common are syrups (36 AP). In second place in terms of the number of proposals is the herbal collections, which consists of 23 AP. Tablets and capsules – have 8 AP. 7 AP represent drugs in the

form of a solution for internal use. The next common are lozenges and drops – 4 AP and 3 AP, respectively, in the Ukrainian pharmaceutical market. The less one is presented in the dosage form of powders (2 AP), liquid extract (1 AP) and tinctures (1 AP).

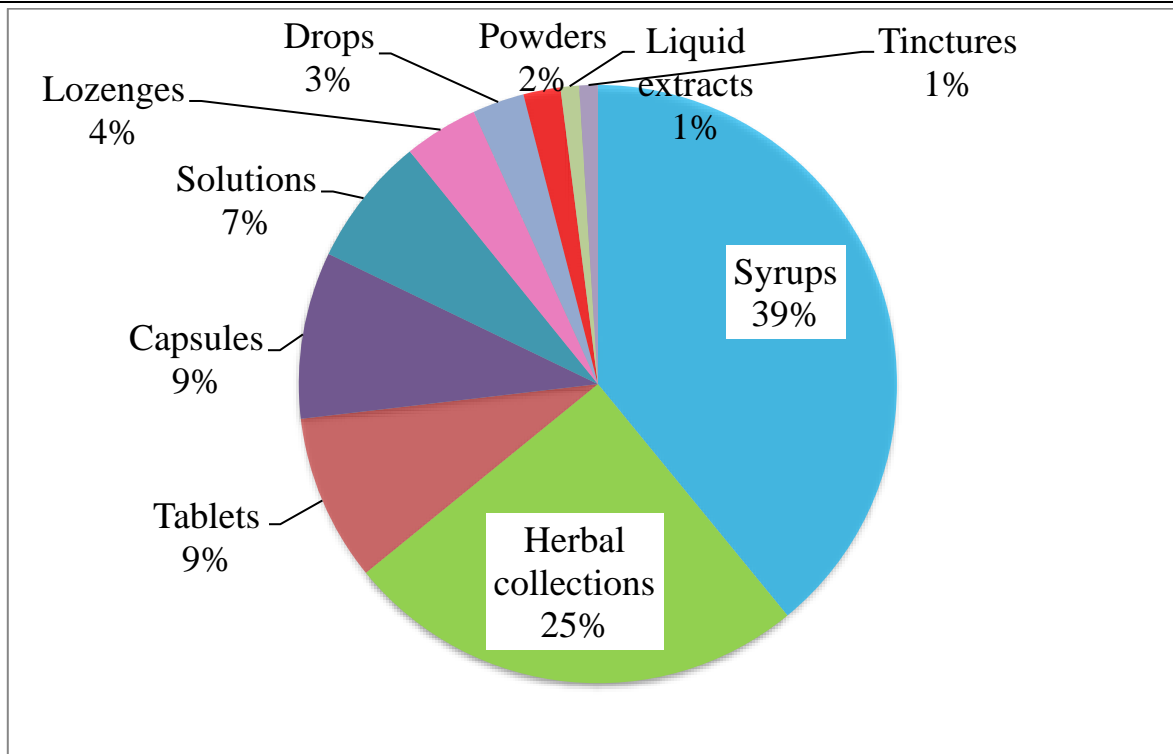


Fig. 4. Phytoexpectorants' distribution according to the dosage forms.

Domestic drugs are presented on the pharmaceutical market of Ukraine in the form of syrup and herbal collections (23 AP), tablets (7 AP), solutions (4 AP), capsules and powders (2 AP), lozenges, drops, liquid extract, tinctures (1 AP).

The imported pharmaceuticals are presented in the form of syrup (13 AP), capsules (6 AP), solution and lozenges (3 AP), drops (2 AP) and tablets (1 AP) in the Ukrainian pharmaceutical market.

Discussion. According to the ATC-classification, the studied herbal expectorants belong to the main therapeutic group R05 "Remedies used in case of cough and colds", subgroup R05C "Expectorants, except of combined preparations containing antitussives agents", that is R05CA "Expectorants" [6].

The amount of phytopreparations with expectorant properties, as in October 2020, compared to January 2018, have decreased in 4 TN, from 90 TN to 86 TN [10]. The share of medicines with expectorant properties of domestic production in 2020 is in 2.3 times higher than foreign and consists 70%. Despite the fact that in the Ukrainian pharmaceutical market the number of domestic drugs is significant, it is advisable to continue research of development and implementation domestic phytopreparations with expectorant properties because of increasing the demand of them yearly.

Conclusions. According to the data of the State Register of Medicines of Ukraine (as in October 2020) 86 trade names of pharmaceuticals with expectorant properties have been presented. The study shows dominance of domestically produced expectorants (70%) in the pharmaceutical market of Ukraine. The leaders among the Ukrainian manufacturers are Pharmaceutical Factory "Viola", PJSC "Liktravy" and LLC "Ternopharm". Among the countries-importers of phytopreparations the leader is Germany (50%). The market

share of the monocomponent preparations with expectorant properties is significant in the domestic pharmaceutical market and consists 65%. Considering that the demand for herbal preparations increases annually, in comparison with synthetic ones, it's advisable to further increasing the nomenclature of phytoexpectorants.

References

- Vardanyan R., Hruby V. Drugs for Treating Respiratory System Diseases. Chapter 23, Synthesis of Best-Seller Drugs, - Academic Press, 2016. - P. 357-381. <https://doi.org/10.1016/B978-0-12-411492-0.00023-7>
- Dudnyk V.M., Morozova, I.V., Shalamai, M.O., Vyzhga, Y.V. Experience of the use of combined phytopreparations in the treatment of respiratory tract diseases // Reports of Vinnytsia National Medical University, 2018, 22, (1), P. 46-50. [https://doi.org/10.31393/reports-vnmedical-2018-22\(1\)-09](https://doi.org/10.31393/reports-vnmedical-2018-22(1)-09)
- Budniak L., Vasenda M., Marchyshyn S., Kurylo K. Determination of the optimum extraction regime of reducing compounds and flavonoids of *Primula denticulata* Smith leaves by a dispersion analysis // Pharmacia, 2020, 67(4), P. 373-378. <https://doi.org/10.3897/pharmacia.67.e54170>
- Stoiko L., Kurylo Khr. Development of optimal technology of alcohol extract *Centaurium erythraea* Rafn. herb // Archives Of The Balkan Medical Union, 2018, 53(4), P. 523-8. <https://doi.org/10.31688/ABMU.2018.53.4.06>
- Nasri H., Bahmani M., Shahinfard N., et al. Medicinal plants for the treatment of acne vulgaris: a review of recent evidences // Jundishapur Journal of Microbiology, 2015, 8(11), P. e25580.

6. Kompendium. Lekarstvennye preparaty. [Compendium. Medicines]. Retrieve from <http://compendium.com.ua> [in Russian].

7. Budniak L.I., Darzuli N.P. Comparative analysis of medications for antibiotic therapy of chronic obstructive pulmonary disease in the pharmaceutical market of Ukraine and France // *Current issues in pharmacy and medicine: science and practice*, 2020, 13(3), P. 401–406. <https://doi.org/10.14739/2409-2932.2020.3.216223>

8. Budniak L.I., Dynia Ye.Yu. Investigation of the assortment of medicines for the treatment of chronic obstructive pulmonary disease in the pharmaceutical

market of Ukraine // *Current issues in pharmacy and medicine: science and practice*, 2020, 13(1), P. 122–127. <https://doi.org/10.14739/2409-2932.2020.1.198186>

9. Derzhavnyi reiestr likarskykh zasobiv Ukrainy [State register of medicines of Ukraine]. Retrieve from <http://www.drlz.kiev.ua> [in Ukrainian].

10. Beley S.Ya., Hroshovyi T.A., Beley N.M., Darzuli N.P. Investigation of the assortment of herbal expectorants used for treatment of cough at colds // *Pharmaceutical review*, 2018, 2, P. 82–87. <https://doi.org/10.11603/2312-0967.2018.2.9126>

THE STUDY OF PHENOLIC COMPOUNDS OF *SANICULA EUROPAEA* L.

Grytsyk L.,

*PhD in Pharmaceutical Sciences,
Associate Professor*

Legin N.,

Assistant

Svirska S.,

*PhD in Pharmaceutical Sciences,
Associate Professor*

Grytsyk A.

*Dr. in Pharmaceutical Sciences,
Professor*

*Ivano-Frankivsk National Medical University,
Ivano-Frankivsk, Ukraine*

ABSTRACT

The results of detection of phenolic compounds of *Sanicula europaea* L. herb using the methods of paper chromatography, high performance liquid chromatography and spectrophotometry were presented.

The content of 14 phenolic compounds in *Sanicula europaea* L. herb was established. It was investigated that epicatechin gallate is the dominant component among the tannins (11058.63 mg/kg), quercetin – among flavonoids (119.00 mg/kg), rosemary acid – among hydroxycinnamic acids (4933.50 mg/kg). The content of the total polyphenols, tannins, flavonoids and hydroxycinnamic acids in *Sanicula europaea* L. herb was established.

Keywords: phenolic compounds, tannins, hydroxycinnamic acids, flavonoids, coumarins, herb, *Sanicula europaea* L.

Introduction. Phenolic compounds are one of the most common and numerous classes of natural substances that have a variety of biological effects. Hydroxycinnamic acids have antimicrobial, anti-inflammatory, hepatoprotective, choleric, antioxidant and immunotropic effects [1]. Flavonoids are used as anti-inflammatory, choleric, antiulcer, diuretic, antispasmodic, antihemorrhoidal, antiviral and antitumor agents. Furthermore, flavonoids are strong antioxidants and provide protection against oxidation and free radical damage [2]. Tannins are a group of biologically active substances that directly affect cell membranes, enzyme proteins, improve the metabolism of adrenaline, ascorbic acid, acetylcholine. They have anti-inflammatory, antioxidant, astringent, antimicrobial effects. As well as all phenolic compounds, they strengthen capillaries, increase blood clotting and have radioprotective effect [3].

The significant attention is drawn to plants that are used in folk medicine for a long time. *Sanicula europaea* L. of the family *Apiaceae* belongs to them. *Sanicula europaea* L. is widely used in folk medicine of the

Czech Republic, Romania, Germany, Austria and Ukraine. In folk medicine, *Sanicula europaea* L. is used as a hemostatic, anti-inflammatory, wound healing, expectorant, choleric, astringent, diuretic, sedative, antimicrobial and antifungal agent.

There is a lack of literature data on the content of phenolic compounds in the *Sanicula europaea* L. raw material. Therefore, it is noteworthy to study biologically active substances of phenolic structure in *Sanicula europaea* L.

The aim of the study was to determine the composition and the content of phenolic compounds in *Sanicula europaea* L. herb to predict its possible pharmacological effects and to develop new drugs.

Materials and methods. The object of the study was *Sanicula europaea* L. herb. It was harvested in 2015 in Ivano-Frankivsk region (near Viktoriv village) during the mass growing season.

In order to detect phenolic compounds, *Sanicula europaea* L. herb was extracted with purified water and 70% ethanol in 1:10 ratio of raw material and the extractant. Phenolic compounds were investigated in the

obtained extracts using identification reactions with 10% alcohol solution of potassium hydroxide and 10% solution of hydrochloric acid, 10% alcohol solution of potassium hydroxide and diazotized sulfanilic acid; with a solution of iron (III) ammonium sulfate, 1% solution of gelatin, 1% solution of quinine hydrochloride; with magnesium powder and hydrochloric acid, 3% solution of iron (III) chloride, 5% alcohol solution of aluminum chloride.

Further study of the composition of flavonoids and hydroxycinnamic acids was performed using paper chromatography in the system of solvents: *n*-butanol-acetic acid-water (4:1:2) and 15% acetic acid. The chromatograms were air dried, examined under UV light and treated with chromogenic reagents such as ammonia vapor, 3% aluminum (III) chloride solution.

HPLC was used to study the composition of phenolic compounds in detail. The analysis was performed using the high performance liquid chromatograph Agilent 1200 3 D LC System Technologies (USA) equipped with the photometric diode-array detector UV-Vis G1315C, followed by processing the results using personal computer with Agilent ChemStation software [4, 5].

Reverse phase chromatography was performed to isolate the phenolic compounds using a 250 × 4.6 mm Discovery C18 chromatographic column with sorbent: silica gel modified with octadecyl groups. 0.005 N orthophosphoric acid (solvent A) and acetonitrile (solvent B) were used as the mobile phases to separate hydroxycinnamic acids, flavonoids and coumarins; a mixture of 0.1% trifluoroacetic acid, 5% acetonitrile and

deionized water (eluent A) and 0.1% trifluoroacetic acid in acetonitrile (eluent B) was used to separate the tannins. The detection wavelength for hydroxycinnamic acids was 320 and 330 nm; for tannins – 255 and 280 nm; for flavonoids and coumarins – 255 and 340 nm. The analysis was performed at room temperature. The feed rate of the eluent was 0.8 ml/min (for flavonoids), 0.7 ml/min (for hydroxycinnamic acids), 0.1 ml/min (for tannins) [6]. The identification of the components was performed by the retention time of the standards and spectral characteristics, the content was determined by calculating the area of the peaks on the chromatogram.

The determination of the content of the total polyphenols and tannins in *Sanicula europaea* L. herb in terms of pyrogallol was performed using spectrophotometric method at a wavelength of 760 nm, determination of hydroxycinnamic acids – in terms of rosmarinic acid at a wavelength of 325 nm, determination of flavonoids – in terms of rutin. The optical density of the solutions was measured using the spectrophotometer Specord M 40.

Results and discussion. According to the results of identification reactions, tannins were established in aqueous extracts of *Sanicula europaea* L. herb; flavonoids, hydroxycinnamic acids and coumarins were established in water-alcohol extracts of *Sanicula europaea* L. herb.

The results of the identification reactions of phenolic compounds in the raw material are given in table 1.

Table 1

Identification reactions of phenolic compounds in *Sanicula europaea* L. herb

Reagent	Identification reaction	Analytical effect	The presence of the analytical effect *
<i>Coumarins</i>			
	Lactone test	Turbidity of the solution	±
	Diazotized sulfanilic acid	Brown color of the solution	±
<i>Tannins</i>			
	Solution of iron (III) ammonium sulfate	Black-green color	+++
	1% gelatin solution	Amorphous precipitate, which disappears with excess gelatin	+++
	1% quinine hydrochloride solution	Light brown amorphous precipitate	+++
<i>Flavonoids</i>			
	Cyanidine reaction according to Bryant	Red-brown color	++
	5 % solution of iron (III) chloride	Dirty green color	++
	5% alcohol solution of aluminum chloride	Yellow color	++

Notes: "+" – the reaction is positive, the number of signs indicates the intensity; "-" – the reaction is negative.

Using method of paper chromatography based on spot fluorescence in UV light and mobility of substances on chromatograms, 8 substances of phenolic nature were revealed in *Sanicula europaea* L. herb: 5 substances as spots with blue and blue-green fluorescence were classified as hydroxycinnamic acids and 3 substances as dark spots and spots with yellow fluorescence were classified as flavonoid compounds.

Using HPLC method the content of 14 phenolic compounds, represented by flavonoids, hydroxycinnamic acids (Fig. 1), tannins (Fig. 2) and coumarins, was established in *Sanicula europaea* L. herb. Gallocatechin, catechin, epicatechin, catechin gallate, epicatechin gallate, gallic, chlorogenic, rosmarinic, caffeic and ferulic acids, apigenin, quercetin, kaempferol and coumarin were identified by the retention time of the standard solutions.

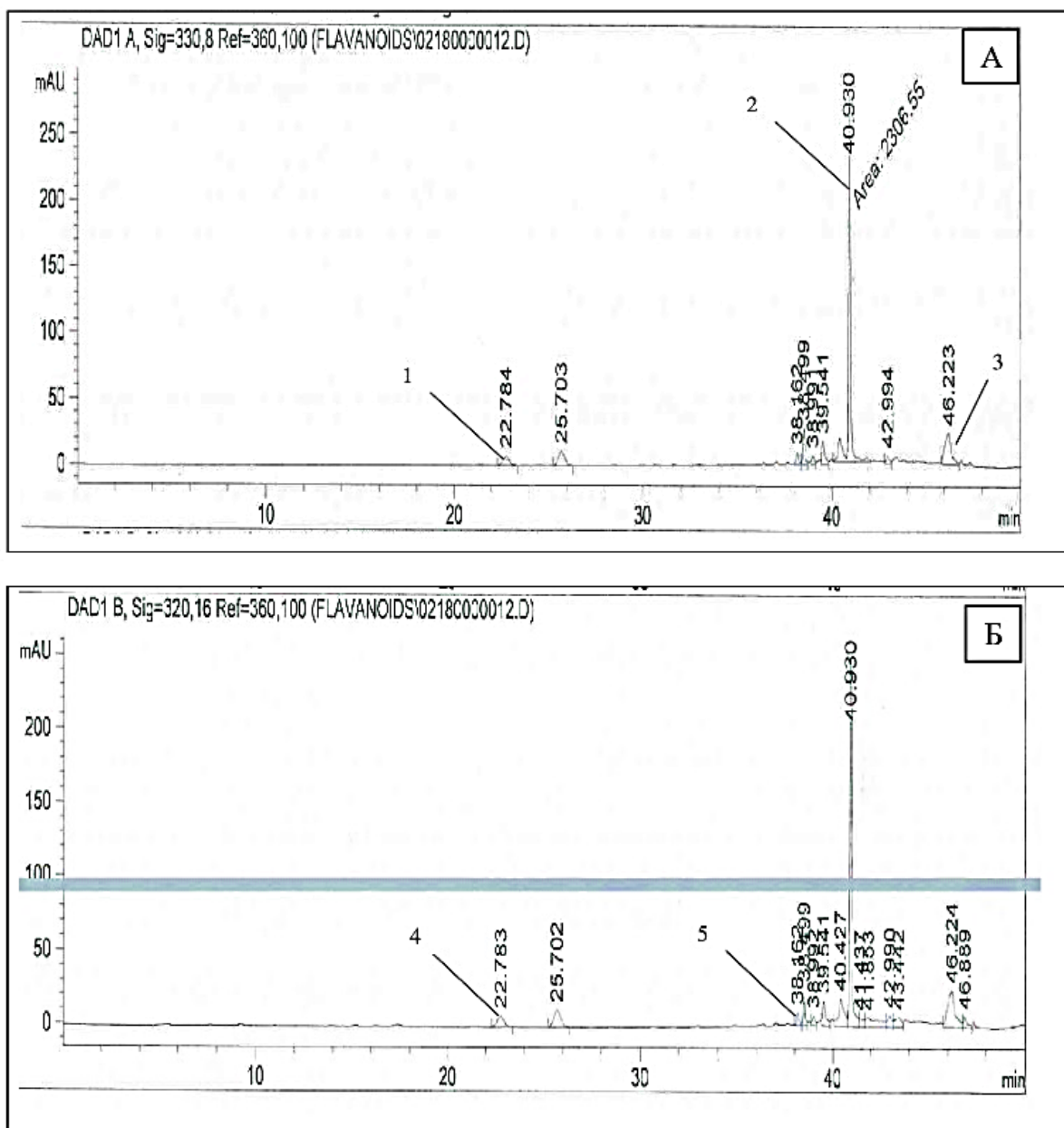


Fig. 1. Chromatograms of hydroxycinnamic compounds of *Sanicula europaea* L. herb: A – wavelength 330 nm, B – wavelength 320 nm; 1 – chlorogenic acid, 2 – rosmarinic acid, 3 – apigenin, 4 – caffeic acid, 5 – ferulic acid.

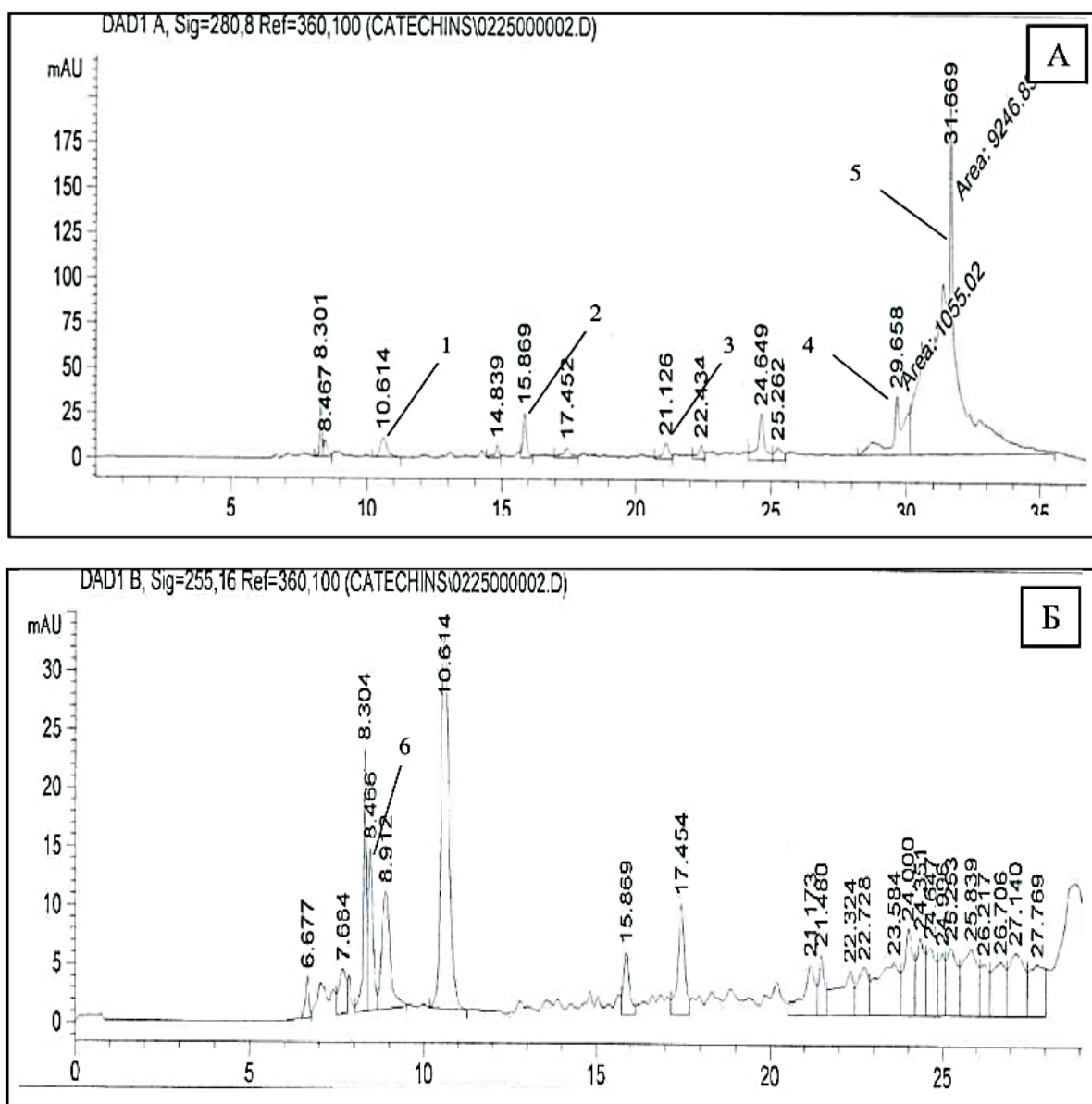


Fig. 2. Chromatograms of tannins of *Sanicula europaea* L. herb:

A – wavelength 280 nm, B – wavelength 255 nm;

1 – gallocatechin, 2 – catechin, 3 – epicatechin, 4 – catechin gallate, 5 – epicatechin gallate, 6 – ellagic acid.

The results of the study of composition and content of phenolic substances in *Sanicula europaea* L. herb using HPLC method are given in table 2.

Table 2

The composition and content of phenolic compounds in *Sanicula europaea* L. herb

The content of phenolic compounds, mg/kg			
Tannins		Hydroxycinnamic acids	
Gallocatechin	3129,25	Chlorogenic acid	324,38
Catechin	840,75	Rosmarinic acid	4933,50
Catechin gallate	969,13	Caffeic acid	257,50
Epicatechin	479,88	Ferulic acid	89,63
Epicatechin gallate	11058,63	Flavonoids	
Ellagic acid	25,88	Quercetin	119,00
Coumarins		Kaempferol	18,63
Coumarin	97,38	Apigenin,	108,50

Among tannins, the highest content in *Sanicula europaea* L. herb was established for epicatechin gallate (11058.63 mg/kg), among flavonoids – for quercetin (119.00 mg/kg), among hydroxycinnamic acids –

for rosmarinic acid (4933.50 mg/kg). Coumarins of *Sanicula europaea* L. herb are represented by coumarin with the content of 97.38 mg/kg.

The results of determining of phenolic compounds content in *Sanicula europaea* L. herb are given in table 3.

Table 3

The content of phenolic compounds in *Sanicula europaea* L. herb

№	Group of phenolic compounds	Method of analysis	Wavelength, nm	Content, %, $\bar{x} \pm \Delta\bar{x}$, n = 9
1.	Total polyphenols	Spectrophotometric in terms of pyrogallol	760	10,43±0,03
2.	Tannins	Spectrophotometric in terms of pyrogallol	760	7,28±0,03
3.	Hydroxycinnamic acids	Spectrophotometric in terms of rosmarinic acid	325	1,26±0,01
4.	Flavonoids	Spectrophotometric in terms of rutin	408	2,37±0,01

Thus, it was found that the content of the total polyphenols in *Sanicula europaea* L. herb was 10.43±0.03%, tannins – 7.28±0.03%, hydroxycinnamic acids – 1.26±0.01%, flavonoids – 2.37±0.01%.

Conclusions.

1. The composition of phenolic compounds of *Sanicula europaea* L. herb was studied using paper chromatography and HPLC methods.

2. The content of 14 phenolic compounds, which were represented by tannins, hydroxycinnamic acids, flavonoids and coumarins, was determined using HPLC method.

3. It was established that in *Sanicula europaea* L. herb the dominant compound among hydroxycinnamic acids was rosmarinic acid, among flavonoids – kaempferol, among tannins – epicatechin gallate, among coumarins – coumarin.

4. The content of total polyphenols, tannins, flavonoids, hydroxycinnamic acids was established.

References

1. Vyznachennia kilkisnoho vmistu hidrosyko-rychnykh kyslot u syrovyni dyvyny zvychnoi/ A. A. Voloshyna, V. S. Kyslychenko, I. O. Zhuravel [ta in.].

Ukrainskyi medychnyi almanakh. 2012. Tom 15, № 5. S. 39 – 40.

2. Katsuba I. K., Kyslychenko V. S., Novosel O. M. Doslidzhennia fenolnykh spoluk lystia maty y machukhy. Ukrainskyi medychnyi almanakh. 2011. Tom 14, № 6. S. 92 – 94.

3. Legin N. I. Vyznachennia vmistu okysniuvanykh fenoliv v syrovyni pidlisnyka yevropeiskoho. Inovatsii v medytsyni: materialy 84 nauk.-prak. konf., studentiv i molodykh vchenykh z mizhnar. uchas., 12 – 13 berez. 2015 r. Ivano-Frankivsk, 2015. S. 170 – 171.

4. Investigation of phenolic compounds of the herbs of Veronica Genus / I. Milian, S. Marchyshyn, S. Kozachok [and et al.] // The Pharma Innovation Journal. 2016. No. 5(7). P.41 – 46.

5. Krivoruchko E. V. Carboxylic Acids from *Cornus mas*. Chemistry of Natural Compounds. 2014. 50, № 1. P. 112 – 113.

6. Temerdashev Z. A., Frolova N. A., Kolychev I. A. Determination of Phenolic Compounds in Medicinal Herbs by Reversed-Phase HPLC. Journal of Analytical Chemistry. 2011. Vol. 66, No. 4. P. 407–414.

MACROSCOPIC AND MICROSCOPIC MORPHOLOGICAL FEATURES OF *VERBENA* L. SPECIES

Grytsyk A.,

Doctor in Pharmaceutical Sciences, Professor

Posatska N.,

Master of Pharmacy, Assistant

Svirska S.

PhD in Pharmaceutical Sciences, Associate Professor

Ivano-Frankivsk National Medical University.

Ivano-Frankivsk, Ukraine

ABSTRACT

Verbena L. species are herbaceous plants or shrubs. They have strong root system and are able to grow up to 100 cm. Their stems are erect or branched, quadrangular and covered with hairs that are pressed to the surface. The leaves are small, opposite, oblong. They are located on the petioles. Inflorescences are at the top of the plants and are collected in panicles, long and spike-shaped, grow in the axils of the middle and upper leaves. *Verbena* L. flowers have different colors and shades. The fruits have a convex dihedral shape. They are linear, brown, slightly oblong and usually wrinkled.

The light microscopy and scanning electron microscopy are used in modern scientific and applied researches to perform in-depth study of the micromorphological structure of leaves, stems and flowers of plants. These methods give more accurate images of plant diagnostic features. Anatomical features of leaves, stems and flowers of *Verbena officinalis* L. were used to specify the microscopic characteristics of medicinal plant raw materials.

Key words: epidermis, leaf, stem, flower, *Verbena officinalis* L.

There are 250 species that belong to the genus *Verbena* L. Three species grow in Ukraine: *Verbena officinalis* L., *Verbena supina* L., *Verbena hybrida* Hort. [1].

Verbena L. species are herbaceous and ligneous plants of the family *Verbenaceae*. They have opposite leaves and gynandrous, irregular flowers. The flowers are collected in many-flowered spikes or umbels that form panicles. A corolla is cylindrical or funnel-shaped tubes and a four- or five-separate, indistinctly double-lipped bends. Usually there are four stamens that are attached to the corolla tube. An ovary is upper, four-nested; the stigma starts from the top of the ovary. The fruit is a drupe or it falls apart into four nuts [1 - 2].

Verbena officinalis L. is a perennial herbaceous rough-haired plant. A stem is quadrangular, erect, ascending, 25 - 100 cm tall, mostly branched. Leaves are 2 - 10 cm long, short petiolate, ovate-oblong or oblong, pinnate, middle leaves are pinnate or trifoliate with unequally serrated lobes, upper leaves are sessile, oblong and pinnate. Flowers are numerous. They are located in the axils of leaf-like bracts and collected in upright spike-shaped inflorescences. A tubular calyx has 5 pointed blades. A corolla is pale pink or purple, twice as long as the calyx. Fruits are nuts. *Verbena officinalis* L. blooms from April to October [1 - 4].

Verbena supina L. is a herbaceous plant with an erect, branched, pubescent stem. It is 70 cm tall. Leaves

are ovate-oblong, pubescent, short-petiolate, upper leaves are sessile, incised-serrated or entire. Inflorescences are oblong-spike, thin. The teeth of the calyx are short, sharp, pale purple, twice as long as the calyx. Fruits fall apart into four nuts. *Verbena supina* L. blooms from April to October. It grows on wet sandy places [1, 5 - 7].

Verbena hybrida Hort. is mostly used in Ukraine in ornamental horticulture [8].

Name *Verbena hybrida* Hort. combines numerous garden forms and varieties of complex hybrid origin, that formed after 1830. They are perennial herbaceous plants but are used as annual plants. The stems are 20 - 50 cm tall, branched, creeping or erect from the base. Shoots are quadrangular. Leaves are located opposite. They are oblong or elongated-triangular with uneven edges, on short petioles. Upper leaves are almost sessile, lower leaves are heart-shaped. Stems and leaves are pubescent with rough, colorless hairs. The flowers are regular, carnation-like, from white to light red or dark purple in various shades, often with a light eye in the center, fragrant. Inflorescences are complex, consisting of 30 - 50 flowers, umbellate, that are extended into multi-flowered spikes. The fruit is a nut. *Verbena hybrida* Hort. blooms from June to October and is a self-seeding plant [1, 5 - 7].

Distinctive morphological features of *Verbena* L. species of Ukrainian flora are given in table. 1.

Table 1

Distinctive morphological features of *Verbena* L. species

Species name	Diagnostic features			
	Leaves	Inflorescences, flowers	Stem	References
<i>Verbena officinalis</i> L.	Opposite, alternate 2-10 cm long, egg-shaped, dark green, pubescent, toothed, short-petiolate, sometimes entire	Sessile, gynandrous, fused, irregular, small 1.5-2.5 cm in diameter, long spike-shaped inflorescences; corolla is 5-lobed, funnel-shaped, pale purple	Quadrangular, erect, pubescent, 75-100 cm tall	1 - 2, 4, 9
<i>Verbena supina</i> L.	Medium leaves are twice pinnately dissected, lower leaves are cordate at the base, pinnate, short-petiolate, upper leaves are sessile, ovoid-wedge-shaped, 2-4 cm long	Spike-shaped, short, 2-4 cm long, dense inflorescences of blue flowers, corolla is slightly longer than calyx, calyx teeth are short and sharp	Branched, horizontal, quadrangular, short-haired, 10-40 cm long	1, 3, 9
<i>Verbena hybrida</i> Hort.	Opposite, ovate, oblong-pubescent, short-petiolate; upper leaves are sessile; lower leaves are cordate at the base, incised-toothed or entire	Correct, from white to purple-red or dark purple color of different shades, fragrant with complex umbrella-shaped inflorescences of 30-50 flowers, 5-6 cm in diameter	Branched, rough-pubescent with colorless hairs on the faces, 20-50 cm tall	5 - 7

Verbena L. species can be identified by the following common features: the height of their shoots varies from 20 cm to 1,0 m; their stems are often erect, but there are some branched species; they are covered with the hairy green skin; they have extremely strong branched root system, opposite short-petiolate leaves with serrated edges and oval shape and spike-shaped inflorescence of different colors.

The State Pharmacopoeia of Ukraine presents the identification of *Verbena officinalis* L. herb using

methods of macro- and microscopic analysis. It is proposed to use whole or fragmented, dried aboveground parts of *Verbena officinalis* L. that were collected during flowering season [10]:

Identification A: Stem is grayish-brown, quadrangular, longitudinally grooved and roughly pubescent, especially along the faces. Larger leaves are petiolate and deeply pinnate, with obtusely serrated or serrated edges; leaf surfaces are rough and covered with bristly hairs, especially along the veins that are protruding on

the lower surface. The flowers are numerous and located in the axils of leaf-like bracts, gathered in an upright spike-shaped inflorescence; tubular calyx has 5 pointed blades, corolla is from pale pink to purple, almost twice as long as the calyx.

Identification B: To grind the raw material to a greenish-brown powder. Examine the powder under a microscope using a solution of chloral hydrate. In the powder should be found: long, polygonal or rectangular stem epidermal cells, with thickened outer shells; fragments of leaves (surface view) from the tortuous main cells of the epidermis and the stomata apparatus of the anomocytic or anisocytic types, more numerous on the lower epidermis; integumentary hairs are short, unicellular, thick-walled, about 500 μm long, wide at the base and rising from the center of a separate rosette of dome-shaped spherical cells of the epidermis; occasionally one can notice glandular head hairs with a multicellular stalk and a flat, 4- to 8-cell head, about 25 μm in diameter; essential oil glands with a unicellular stalk and an enlarged oval, about 65 μm in diameter head, consisting of 8 radially arranged cells; fragments of the fibrous layer of anther with well-marked thickenings; pollen grains triangular or ovoid or round, about 30 μm in diameter, with 3 pores and a smooth exine; separate groups of fibers, porous vessels and parenchymal tissue of the stem [10].

To clarify the anatomical structure of *Verbena officinalis* L. herb, we conducted an additional study of the ultrastructure of the epidermal surface of the leaf, stem and flower petal. The images, that are obtained using the scanning electron microscope, are three-dimensional and convenient for studying the surface structure. It allows to establish some features of the plant structure that are necessary for plant taxonomy [11 - 13].

For the study we used *Verbena officinalis* L. herb that was harvested in 2017 on the outskirts of Zalukva village, Halyts'kyi district, Ivano-Frankivsk region.

The external features of the ultrastructure of the epidermis surface of *Verbena officinalis* L. leaf are presented in Fig. 1 and Fig. 2.

The leaf is amphistomatic, stomata apparatus is anisocytic or anomocytic, stomata evenly distributed on both surfaces of the leaf blade, slightly above the level of the main epidermal cells. The adaxial surface of the leaf blade is collicular (Fig. 1). The projections and outlines of epidermal cells vary: prosenchymal cells with rectangular projections and straight outlines are observed above the mesophyle; cells with elongated projections and straight outlines are observed in the area of conducting bundles.

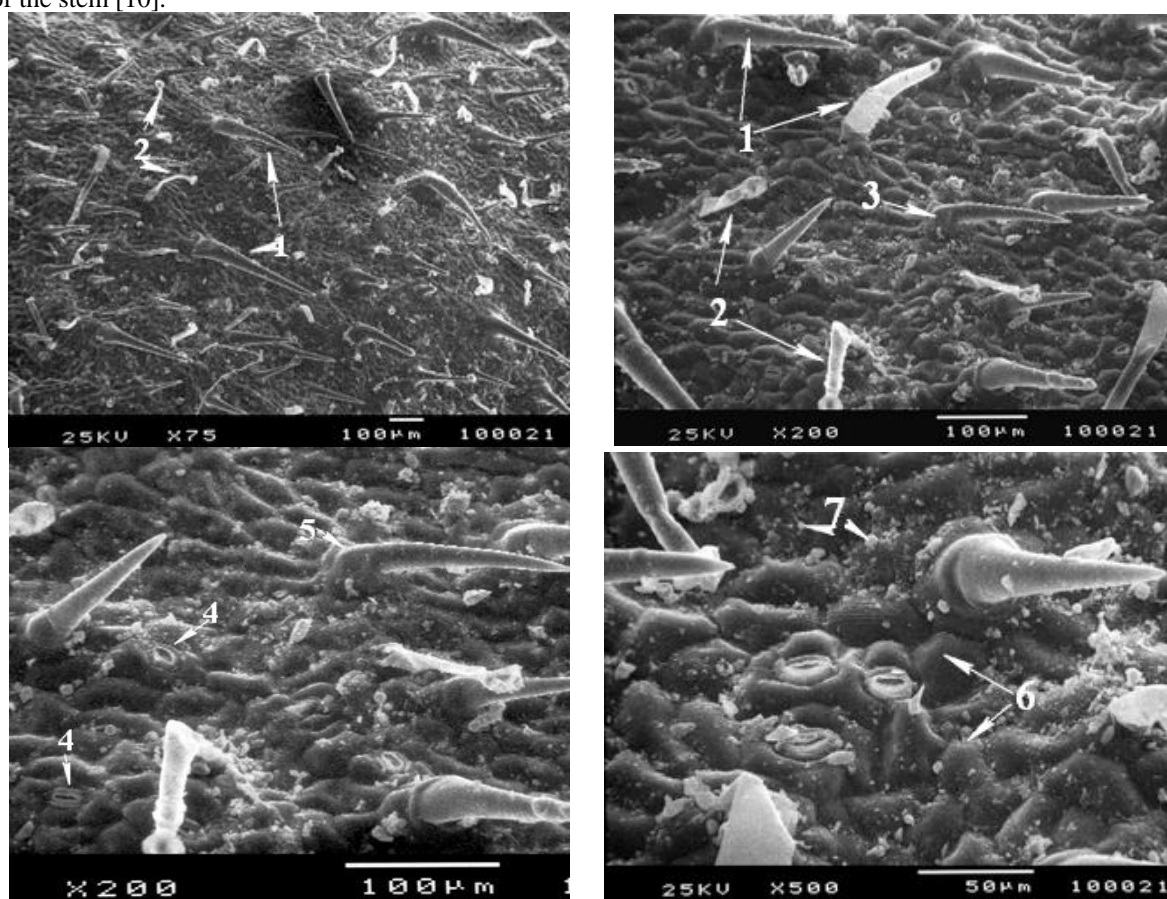


Fig. 1. The ultrastructure of the adaxial epidermis of *Verbena officinalis* L. leaf blade: 1 - trichoma, 2 - glandular hair; 3 - basal cell of a simple hair; 4 - stomata; 5 - simple hair, 6 - periclinal walls of epidermal cells, 7 - epicuticular wax.

The anticline walls of epidermal cells are not thickened. The boundaries of the cells are clear. The cuticle is well formed. The pubescence is scattered,

complex, formed by simple (hooks) and glandular hairs. On the upper surface of the leaf there is a slight pubescence (4.5 - 5 trichomes per 1 mm^2) represented

by 0.4 - 0.5 mm long trichomes. Trichomes are observed both on the vein and on the entire surface of the leaf blade.

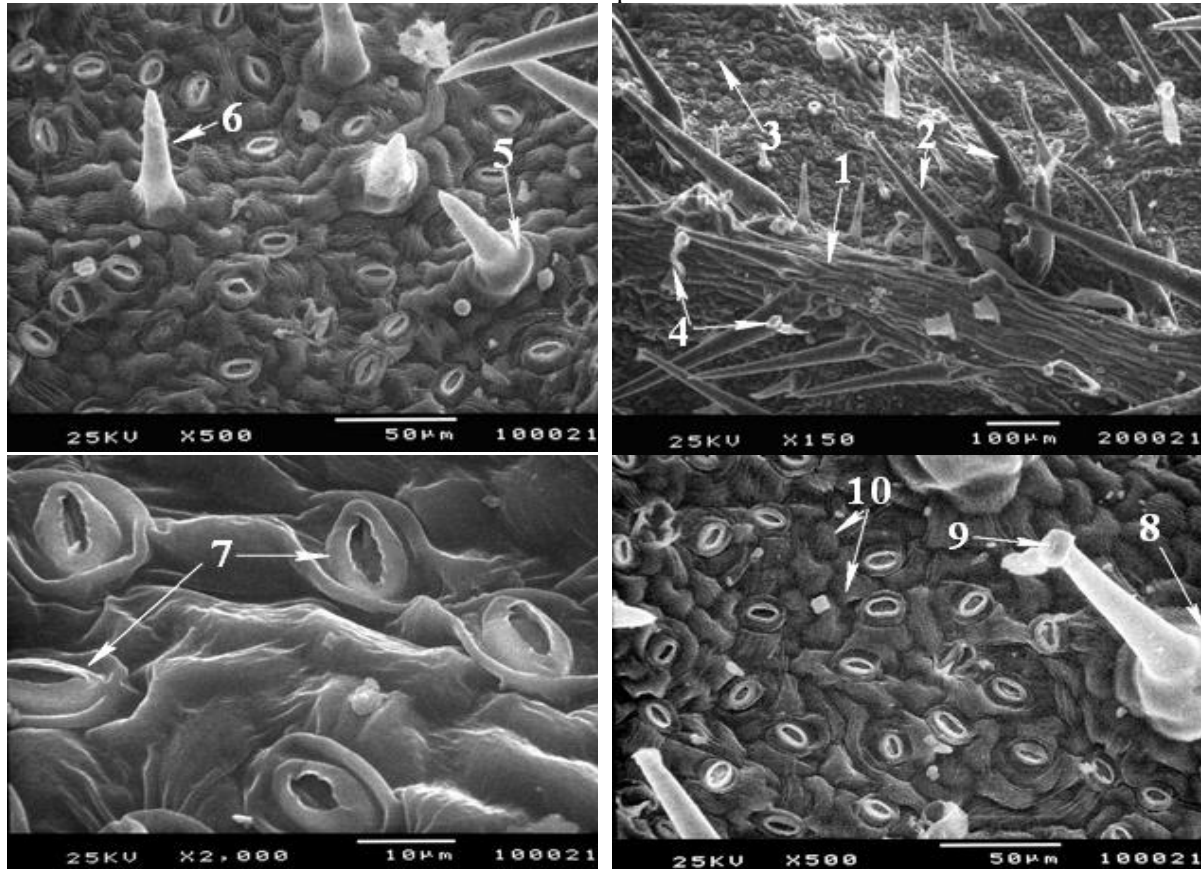


Fig. 2. The ultrastructure of the abaxial epidermis of *Verbena officinalis* L leaf blade: 1 - central vein; 2 - distal trichoma cell; 3 - outer periclinal walls of trichoma cells; 4 - glandular trichomes; 5 - basal cell of the thorn; 6 - distal thorn cell; 7 - stomata; 8 - basal cell of glandular hair; 9 - the head of the glandular hair; 10 - striatal cuticle.

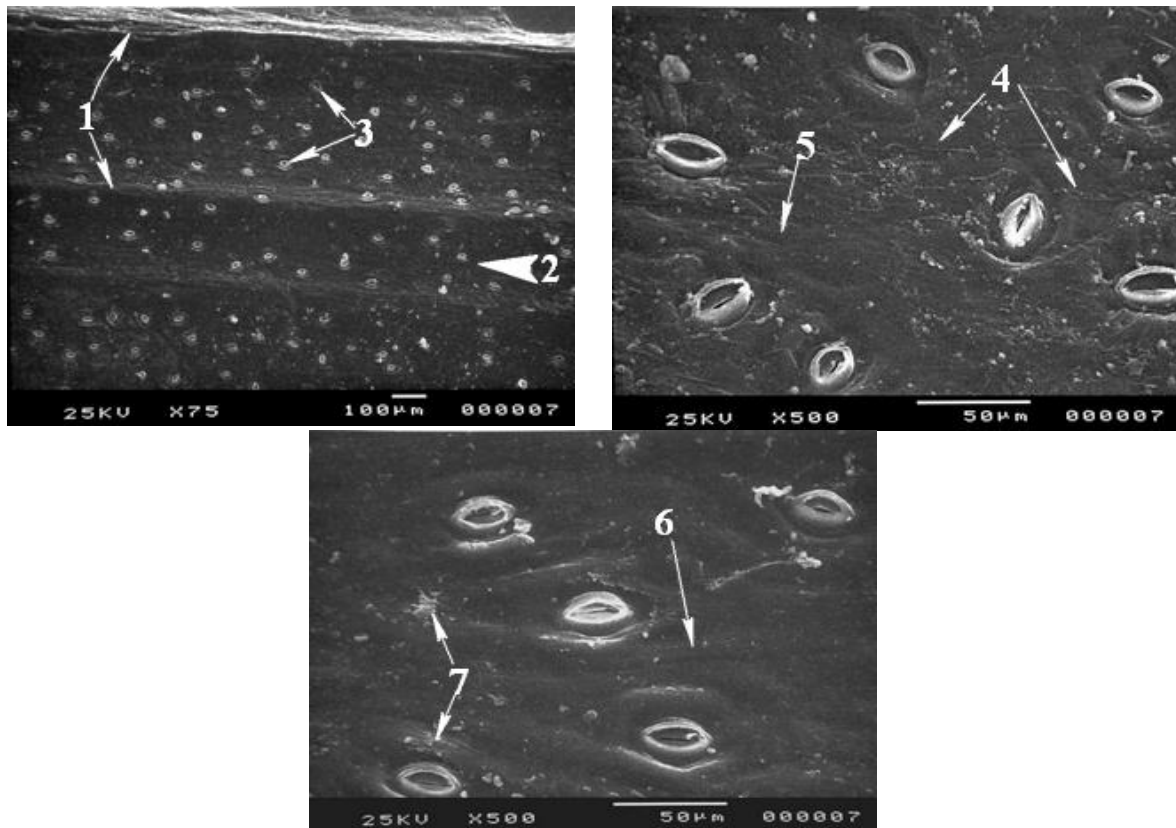
The central vein of the leaf is densely pubescent with long thorny trichomes with a distinct basal cell and long distal trichomes. Thorns are observed on all surface of a leaf blade. Unlike the adaxial epidermis, the abaxial epidermis has a striatal cuticle. The epicuticular wax is found on the periclinal walls of the epidermal cells of both epidermis. The wax is represented by granules.

On the surface of the stem there are two distinct zones (costal and intercostal), that differ slightly in the ultrastructure of the surface. The stomata are anisocytic or anomocytic with clear cuticular rollers, evenly

In the studied species, the abaxial surface differs from the adaxial (Fig. 2). It is characterized by dense pubescence.

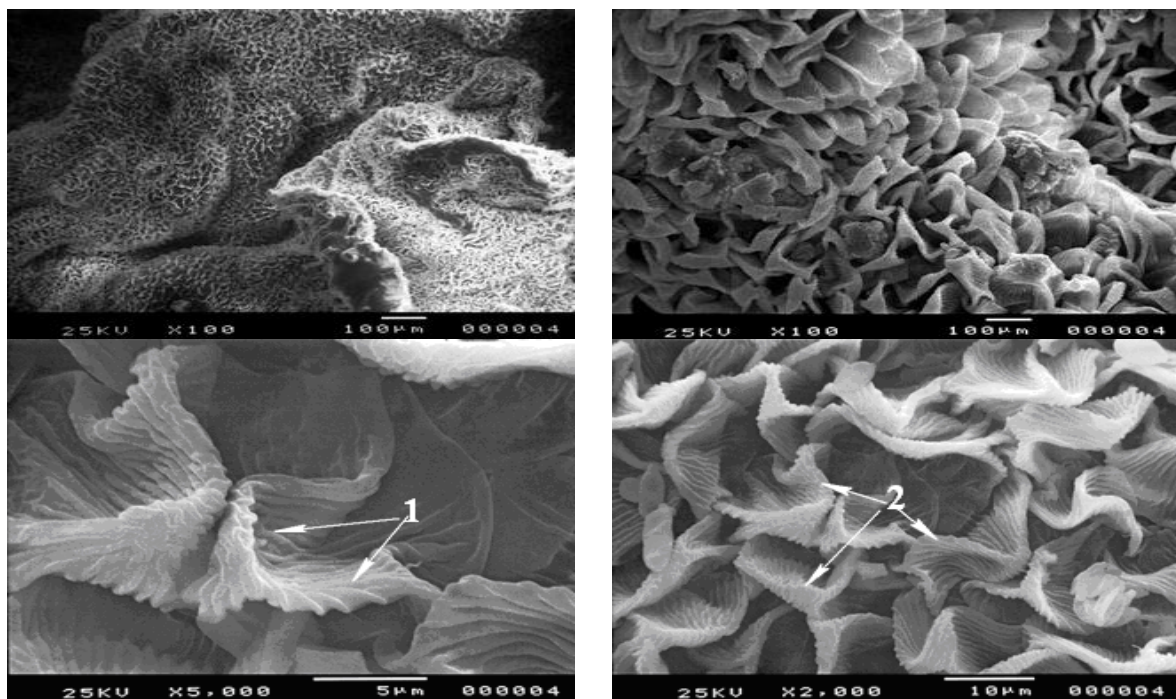
spaced with epidermal cells. The relief of the stem surface is slightly collicular to smooth. Epidermal cells are prosenchymal with rectangular projections and straight outlines. The anticlinal walls of epidermal cells are not thickened, the outer periclinal walls are slightly convex. The boundaries of the cells are not clear. The cuticle is well formed. There is no pubescence on the surface of the stem. The epicuticular wax is found on the periclinal walls of the epidermal cells.

External features of the ultrastructure of the epidermis surface of *Verbena officinalis* L. stem are presented in Fig. 3.



Puc. 3. The ultrastructure of the epidermis surface of Verbena officinalis L. stem: 1 - costal area, 2 - intercostal area; 3 - stomata; 4 - cuticle (intercostal area); 5 - periclinal walls of epidermal cells, 6 - cuticle (costal area); 7 - epicuticular wax.

External features of the ultrastructure of the epidermis surface of *Verbena officinalis* L. flower petal are presented in Fig. 4.



Puc. 4.

The ultrastructure of the epidermis surface of Verbena officinalis L. flower petal: 1 – cuticle; 2 - papillae.

Internal (adaxial) surface. Cell boundaries are not visible. The cuticle of wrinkled type is well-formed. The surface relief is papillary (each epidermal cell carries papillae). There is no wax. When the inspection of

the specimens of *Verbena officinalis* L. flower petals a solid golden pellicle of cuticle which covers a single layer of epidermis can be seen. The cells of the epidermis are elongated, slightly tortuous, with tangential

outer and inner walls. The stomata sink deeper into the tissue of the hypodermis, under which is a large air cavity.

Thus, the epidermal cells of *Verbena officinalis* L. leaf are isodiametric. There are non-glandular and glandular trichomes on both epidermis. Non-glandular trichomes have a unicellular body and two multicellular and radially arranged basal cells. The body of these trichomes is slightly smooth, elongated with a pointed tip. It is distributed over both epidermal surfaces of the leaf.

The stems have quadrangular cross sections. Non-glandular and glandular trichomes were observed on the unradicated leaf epidermis. The type of glandular trichoma of the stem is the same as of the leaf of this species. There is a layer of subcutaneous cells under the epidermis. Collenchyma and sclerenchyma caps are present in the corners of the stem. There is a hypodermis in the stem. The endoderm is located around the perimeter of the stem.

Flower petals are characterized by a solid golden pellicle of cuticle, which covers a single layer of epidermis. The cells of the epidermis are elongated, slightly tortuous, with tangential outer and inner walls.

Conclusions

1. The study of morphological features of leaves, stems and flowers structure of *Verbena* L. species is conducted. These plants, depending on the species and growing conditions, can be annual and perennial herbaceous plants or shrubs. Stems are erect, creeping or spreading, rough or smooth. The leaves are opposite, pubescent, sometimes alternate or annular, dark green, toothed, dissected or pinnately incised, and in some species they are entire. There are hairy or corymbose inflorescences, spikelets or tassels consist of 30 - 50 small flowers from 1.5 cm to 2.5 cm in diameter. The range of colors of the flowers is extremely wide: pale purple, white, dark blue, blue monochromatic, yellow, cream, dark red, as well as with a cream or white eye. The fruit is a prefabricated nut that consists of four parts. *Verbena* L. species blooms from June to November depend on the species.

2. Microscopic features of the stem surface of *Verbena officinalis* L. were established. It is investigated that it is possible to distinguish two zones (costal and intercostal), which differ slightly in the ultrastructure of the surface. The stomata are anomocytic with distinct cuticular rollers, evenly spaced at the same level as the epidermal cells. Leaves are amphistomatic, their stomata are anisocytic, evenly distributed on both surfaces of the leaf blade, slightly above the level of the main epidermal cells. The adaxial surface of the leaf blade is collicular. Stem epidermal cells are prosenchymal with rectangular projections and straight outlines. The anticlinal walls of epidermal cells are not thickened, the outer periclinal walls are slightly convex. The boundaries of the cells are not distinct. The cuticle is well

formed. There is no pubescence. Periclinal walls of the epidermal cells contain epicuticular wax. The petals of *Verbena officinalis* L. flowers have entire golden pellicles of the cuticle, that cover a single layer of epidermis.

References

1. Likarski roslyny: Entsyklopedychnyi dovidnyk / [za red. akad. AN URSSR A. M. Hrodzynskoho]. K.: Ukrainska entsyklopediia im. M. P. Bazhana, 1990. S. 165 – 166.
2. Vyznachnyk roslyn Ukrainy / K.: Urozhai, 1950. S. 346, 372 – 373, 557.
3. Nesteruk Yu. Roslynniyi svit Ukrainykh Karpat: Chornohora. Ekolohichni mandrivky / Yu. Nesteruk. Lviv: BaK, 2003. S. 162 – 168.
4. Likarski roslyny. Fitoterapevtychnyi dovidnyk / [Oliinyk P. V., Benzel L. V., Siatynia M. L., Kramarenko H. V.]. K.: Ridnyi kraj, 1999. 320 s.
5. Mamchur F. I. Likarski roslyny na prysadybnii diliantsi / F. I. Mamchur, Ya. D. Hladun. K.: Landshaft. Dyzain, 2012. № 2. 48 s.
6. Rastytelnye resursy SSSR. Tsvetkovye rastenyia, ikh khimicheskyyi sostav, ispolzovanye; Seimestvo Caprifoliaceae Plantaginaceae. L.: Nauka, 1990. 328 s.
7. Berdnykova O. V. Komnatnye rastenyia ot A do Ya / O. V. Berdnykova. M.: OLMA-Press Hrand, 2003. S. 40.
8. Mamchur F. I. Likarski roslyny na prysadybnii diliantsi / F. I. Mamchur, Ya. D. Hladun. K.: Landshaft. Dyzain, 2012. № 2. 48 s.
9. Komendar V. I. Likarski roslyny Karpat. Uzhhorod: Karpaty, 1971. 246 s.
10. Derzhavna Farmakopeia Ukrainy: v 3 t. / Derzhavne pidpriemstvo «Ukrainskyi naukovyi farmakopeinyi tsentr yakosti likarskykh zasobiv». 2-e vyd. Kharkiv: Ukrainskyi naukovyi farmakopeinyi tsentr yakosti likarskykh zasobiv, 2014. T. 3. S. 261 – 263.
11. Futorna O. A., Zhyhalova S. L., Olshanskyi I. H. Mikromorfolohichna kharakterystyka (Anatomichna struktura lystkiv ta stebel, ultrastruktura plodiv, ultrastruktura pylkovykh zeren) *Sonchus oleraceus* L. (Asteraceae) // Chornomorskyi botanichnyi zhurnal, 2016. T. 12. № 2. S. 143 – 155.
12. Sousesan Abbasian, Maryam Keshavarzi. Macro- and micromorphological studies of *Clypeola* species (Brassicaceae) in Iran // Modern Phytomorphology, 2016. № 10. C. 25 – 38.
13. Bolourian S., Pakravan M. A morphometric study of the annual species of *Alyssum* (Brassicaceae) in Iran based on their macroand micromorphological characters. *Phytologia Balcanica*, 2011, № 17 (3). C. 283 – 289.

TECHNICAL SCIENCES

ИССЛЕДОВАНИЕ ЭФФЕКТИВНОСТИ ИСПОЛЬЗОВАНИЯ ТЕПЛОВЫХ НАСОСОВ В СИСТЕМАХ КОНДИЦИНИРОВАНИЯ ВОЗДУХА

Ломсадзе З.Д.,

Центр по изучению производительных сил и природных ресурсов Грузии им. Ир. Жордания Грузинского Технического Университет. Директор центра, профессор, докт. техн. наук

Мирианашили Н.А.,

Старший научн. сотрудник центра, докт. техн. наук

Везиришвили-Нозадзе К.О.,

Главный научн. сотрудник центра, профессор, докт. техн. наук

Гамезардашвили Д.З.,

Главный научн. сотрудник центра, канд. хим. наук

Дваладзе А.Д.

Ведущий инж. центра,

RESEARCH OF THE EFFICIENCY OF USE OF HEAT PUMPS IN AIR CONDITIONING SYSTEMS

Lomsadze Z.,

The Center for Studying Productive Forces and Natural Resources of Georgia of the Georgian Technical University, Tbilisi

Center director

Doctor of Technical sciences, professor

Mirianashvili N.,

Senior Researcher, center employee, Doctor of Technical sciences

Vezirishvili – Nozadze K.,

Chief Researcher, center employee, Doctor of Technical sciences, professor

Gamezardashvili D.,

PhD in Chemistry

Deputy Director, Chief Researcher

Dvaladze A.

Lead Engineer, center employee

АННОТАЦИЯ

Проведен Энергоэкономический анализ системы кондиционирования воздуха с использованием ТНУ. По климатическим районом при использования различных источников низкопотенциального тепла и при различных стоимостях топлива установлены зоны эффективного применения ТНУ. Результаты полученных исследований обобщены для стран с различными климатическими условиями.

ABSTRACT

An energy-economic analysis of the air conditioning system using HPI (heat pump installations) was carried out. In the climatic region, using various sources of low-grade heat and at various fuel costs, zones of effective use of HPI (heat pump installations) have been established. The results of the studies obtained are summarized for countries with different climatic conditions.

Ключевые слова: Тепловой насос, теплохладоснабжение, кондиционирование воздуха, топливно-энергетический комплекс

Keywords: Heat pump, heat and cold supply, air conditioning, fuel and energy complex

Введение

Грузия, по сравнению со многими другими Странами не выделяется большими ресурсами органического топлива (нефть, газ), она богата гидроресурсами. Поэтому, в условиях рыночной экономики, проблему большой актуальности представляет эффективное развитие топливно-энергетического комплекса (ТЭК) Грузии и исследование путей надежного энергообеспечения Страны.

Нестабильные цены на органическое топливо и его импорт из зарубежных стран, а также ухудшающаяся экологическая ситуация в стране, все остро ставит проблему рационального и эффективного использования местных энергетических ресурсов, как основного гаранта энергетической независимости Грузии [1].

С целью стабильного развития устойчивой энергообеспеченности и в результате этого повышения энергобезопасности страны, важно, что бы при составлении долгосрочных государственных энергетических программ предусматривать не

только традиционные методы и технологии выработки тепловой и электрической энергий, а также изучить возможности использования современных нетрадиционных, энергосберегающих и экологически чистых технологий в осуществлении энергообеспечения, а в частности тепло- и хладоснабжения различных потребителей.

Одним из современных технологических решений теплохладоснабжения является широкое использование теплонасосных установок (ТНУ) в различных отраслях экономики страны, в коммунально-бытовом секторе и в сфере общественного обслуживания.

Из всего сказанного следует, что представленная работа посвящается исследованию вопросов оптимального развития ТЭК Грузии с учетом широкого внедрения энергосберегающих теплонасосных систем теплохладоснабжения, что безусловно обеспечит:

– максимальное освоение собственных, возобновляемых, энергетических ресурсов и их рациональное использование;

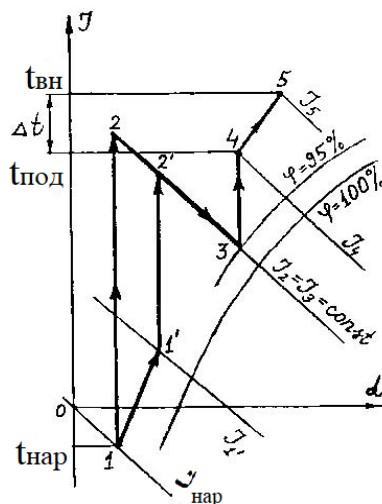


Рис. 1. Обработка воздуха в холодный период года

В качестве исходной информации для модели системы кондиционирования воздуха используются следующие параметры: 1 – характеристика здания; 2 – климатическая характеристика района; 3 – характеристика отдельных элементов оборудования системы кондиционирования воздуха и ТНУ; 4 – технико-экономические характеристики элементов ТНУ и системы энергоснабжения.

Процедура расчетов по модели предусматривает выполнение следующих этапов:

- 1 – оценка параметров системы в условиях зимнего расчетного режима;
- 2 – оценка параметров системы в условиях летнего расчетного периода;
- 3 – выбор мощности ТНУ (задается пользователем);
- 4 – определение параметров ТНУ по заданной мощности применительно для условий зимнего расчетного режима;

– повышение степени автономности ТЭК и активное проведение энергосберегающей политики в различных отраслях экономики.

Основная часть

В статье приведены результаты разработанной нами экономико-математической модели работы системы круглогодичного кондиционирования воздуха, включающий следующие варианты [2, 3]:

1. Традиционная система круглогодичного кондиционирования воздуха с использованием традиционных калориферов и холодильной машины для охлаждения воды в камере увлажнения летом:

- с входным теплообменником;
- без входного теплообменника.

2. Система кондиционирования воздуха с теплонасосной установкой, которая используется для нагрева воздуха в калорифере второго подогрева зимой и охлаждения воды в камере увлажнения летом. Эта схема в свою очередь имеет два варианта:

- система с ТНУ с входным теплообменником;
- система с ТНУ без входного теплообменника.

Как видно из рис. 1 и 2, в случае с входным теплообменником расход энергии будет значительно меньше, чем без него ($I_2 - I_1 > I_2 - I_1^1$ и $I_1 - I_3 > I_1^1 - I_3$).

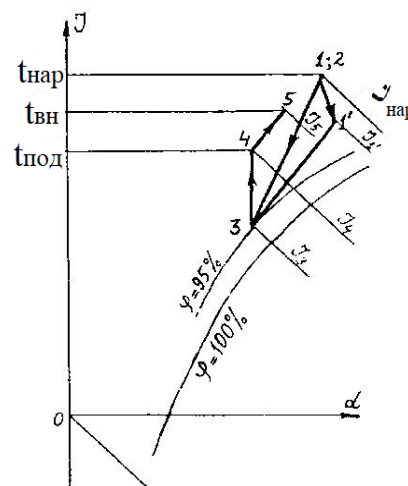


Рис. 2. Обработка воздуха в теплый период года

5 – расчет энергетической эффективности работы системы по месяцам года;

6 – расчет технико-экономических показателей системы кондиционирования воздуха.

А) Если $I_0 \leq I_3^3$, то система будет работать в режиме холодного периода.

Все параметры системы рассчитываются по аналогии с этапом I при заданной температуре (t_0^3) и влажности (d_0^3) наружного воздуха.

Количество тепла, которое вырабатывается ТНУ при заданной мощности (X) равно:

$$Q_{ТНУ} = X \cdot \varphi, \text{ кВтч,}$$

где φ - коэффициент преобразования ТНУ.

Далее выработка ТНУ сравнивается с потребностью в тепловой энергии второго калорифера (Q_2).

Если $Q_{ТНУ} \leq Q_2$, то требуется дополнительная работа доводчика, производительность которого должна быть $Q_{дог} = Q_2 - Q_{ТНУ}$.

Если $Q_{ТНУ} > Q_2$, то доводчик не требуется:

$$Q_{дог} = 0,$$

а ТНУ должна обеспечить столько тепла, сколько требуется системе

$$Q_{ТНУ} = Q_2 \text{ и } N = Q_{ТНУ} / \varphi.$$

где N – электрическая мощность ТНУ.

Кроме основных параметров ТНУ, определяются следующие показатели с нарастающим итогом за зимний период:

- суммарный расход тепла на нагрев воздуха в калорифере первого подогрева (без входного теплообменника):

$$F_1 = F_1 + Q_1 \cdot \tau, \text{ кВтч}$$

где τ – продолжительность работы в течение месяца,

- суммарный расход при работе входного теплообменника:

$$F_2 = F_2 + Q_1' \cdot \tau, \text{ кВтч}$$

- суммарный расход тепла во втором калорифере:

$$F_3 = F_3 + Q_2 \cdot \tau, \text{ кВтч}$$

- в том числе расход тепла доводчиком:

$$F_4 = F_4 + Q_{дог} \cdot \tau, \text{ кВтч}$$

- расход тепла в скруббере (без входного теплообменника):

$$F_5 = F_5 + Q_3 \cdot \tau, \text{ кВтч}$$

- то же при работе входного теплообменника:

$$F_6 = F_6 + Q_3' \cdot \tau, \text{ кВтч}$$

- расход электроэнергии ТНУ:

$$F_7 = F_7 + N_{ТНУ} \cdot \tau, \text{ кВтч}$$

- то же вентилятором:

$$F_8 = F_8 + N_{вент} \cdot \tau, \text{ кВтч}$$

Б) Если $I_3^{\wedge} \leq I_0$, то система кондиционирования будет работать в режиме теплого периода.

В этом случае параметры ТНУ рассчитываются по аналогии с этапом 2 при температурах (t_0^{\wedge}) и влажностях (d_0^{\wedge}) наружного воздуха характерных для летнего периода.

Хладопроизводительность ТНУ мощностью X составит:

$$Q_{ТНУ} = X \cdot \varphi, \text{ кВтч.}$$

Далее производится сравнение хладопроизводительности ТНУ с потребностью скруббера в холоде.

Если $Q_{ТНУ} \leq Q_3$, то в системе необходимо предусмотреть доводчик, производительность которого равна $Q_{дог} = Q_3 - Q_{ТНУ}$, а мощность $N_{дог} = Q_{дог} / \varphi$.

Если $Q_{ТНУ} > Q_3$, то доводчик не требуется, а ТНУ должна работать с производительностью, равной потребности в холоде:

$$Q_{ТНУ} = Q_3$$

Аналогичным образом происходит сравнение при работе в системе входного теплообменника.

Показатели расхода энергии за летний период (нарастающим итогом):

- суммарный расход электроэнергии традиционным кондиционером по схеме без ТНУ:

$$R_1 = R_1 + N_k \cdot \tau, \text{ кВтч}$$

- расход электроэнергии в схеме с ТНУ (без входного теплообменника):

$$R_2 = R_2 + N_{ТНУ} \cdot \tau, \text{ кВтч}$$

- то же в схеме с входным теплообменником:

$$R_3 = R_3 + N_{ТНУ}' \cdot \tau, \text{ кВтч}$$

- расход энергии вентилятором:

$$R_4 = R_4 + N_{вент} \cdot \tau, \text{ кВтч}$$

- суммарный расход электроэнергии доводчиком (без входного теплообменника):

$$R_5 = R_5 + N_{дог} \cdot \tau, \text{ кВтч}$$

- то же при работе с входным теплообменником:

$$R_6 = R_6 + N_{дог}' \cdot \tau, \text{ кВтч}$$

В) Если $I_3^{\wedge} < I_0 < I_3^{\wedge}$, то имеет место переходный период, который в модели не рассматривается. В этот период ТНУ не работает.

Сравнение различных систем кондиционирования воздуха проведено на основе показателей годовых затрат:

$$Z = C_{т} \cdot Q + C_{э} \cdot \Delta + A_{м} + P_{р} + E_{н} \cdot K, \text{ \$/год}$$

где $C_{т}$, $C_{э}$ – соответственно стоимости тепловой и электрической энергии, $\$/\text{МВтч}$;

Q , Δ – соответственно годовые расходы тепловой и электрической энергии, $\text{кВтч}/\text{год}$;

$A_{м}$ – амортизационные отчисления (приняты в размере 10%, исходя из 10-летнего срока службы установки);

$P_{р}$ – прочие затраты по системе (приняты в размере 1% от первоначальных инвестиции в систему);

$E_{н}$ – нормативный коэффициент эффективности инвестиций ($E_{н}=0.15$);

K – инвестиций в систему кондиционирования, $\$$.

Основной объем расчетов выполнен при стоимости электроэнергии $0.06\$/\text{кВтч}$, хотя в принципе модель позволяет проводить оценки при любых заданных значениях стоимости тепловой и электрической энергии.

Расчеты были проведены для стран Южного Кавказа, южных районов Молдовы, Украины и России, а также южных районов среднеазиатских государств.

В таблице 1 приведены параметры систем кондиционирования воздуха для перечисленных нами выше регионов (при стоимостях энергии от внешнего источника $25\$/\text{МВтч}$

Таблица 1

Параметры системы кондиционирования воздуха с ТНУ для различных городов
(объем здания 5000 м³, температура внутри помещения 20°C)

Наименования	Тбилиси	Ташкент	Ялта	Днепропетровск	Алма-Аты
Мощность ТНУ по зимнему максимуму, кВт	52	67	48	82	53
Мощность ТНУ по летнему максимуму, кВт	11	22	9	10	35
Оптимальная мощность ТНУ, кВт	35	40	30	50	42
Инвестиции в систему, тыс.\$					
традиц. схема без т/о	10,4	17,7	9,5	13,2	28,7
традиц. схема с т/о	13,4	21,2	12,5	18,3	31,7
ТНУ без т/о	16,8	22,1	15,5	25,3	21,4
ТНУ с т/о	18,0	23,1	17,0	27,3	20,3
Годовые затраты, тыс. \$					
традиц. схема без т/о	9,3	11,9	8,5	13,2	19,8
традиц. схема с т/о	8,6	10,7	7,6	11,3	16,4
ТНУ без т/о	9,5	11,5	8,6	14,6	15,6
ТНУ с т/о	7,7	9,4	7,2	11,7	10,4
Расход топлива, т у.т./год					
традиц. схема без т/о	116	127	107	170	216
традиц. схема с т/о	65	57	63	103	108
ТНУ без т/о	87	96	77,5	125	160
ТНУ с т/о	49	55	45	75	83
Расход энергии тыс.кВтч/год					
традиц. схема	44,8	71,9	30,7	35	103,8
ТНУ без т/о	143,2	167,9	134,6	202,5	206,5
ТНУ с т/о	140,4	155,5	132,6	202,2	201,5

Во всех районах применения схем с ТНУ со входным теплообменником оказывается на 10-20% (в Алма-Аты даже на 47%) дешевле, чем традиционных систем с холодильными (без входного теплообменника), и на 5-10% в случае традиционной схемы с утилизацией тепла приточного воздуха. Несмотря на увеличение капиталовложений в схему с ТНУ и входным теплообменником в 1,5-2,0 раза и ростом расхода электроэнергии в 2,5 раз, расход первичной энергии с учетом эффективности преобразования на электростанциях сокращается примерно в 2,0-2,5 раза. Поэтому с увеличением стоимости энергии от внешнего источника эффективность схем с ТНУ увеличивается [3, 4].

Как показали расчеты, при стоимости энергии от внешнего источника менее 15 \$/МВтч, применение схем с ТНУ и входным теплообменником оказывается неэффективным во всех районах, кроме Казахстана; При 15-20 \$/МВтч – эти схемы становятся эффективными в условиях Средней Азии (Ташкент); При стоимости энергии более 20 \$/МВтч практически во всех южных районах схема с ТНУ и с теплообменником оказывается экономически более эффективным, чем традиционная схема (даже при оснащении ее входным теплообменником), а при стоимости более 25 \$/МВтч и схема с ТНУ без теплообменника становится более эффективным, чем традиционная.

Проведенные исследования позволяют сделать ряд выводов относительно целесообразности применения теплонасосных установок в системах кондиционированного воздуха. В районах Средней Азии и Казахстана схемы с ТНУ и входным теплообменником являются наиболее эффективными независимо от источника внешней энергии (даже в случае подогрева воздуха теплом от крупных ТЭЦ) при стоимости тепловой энергии более 15 \$/МВтч. При стоимости тепла более 20-25 \$/МВтч (тепло от котельных, прямое сжигание газа или жидкого топлива в калориферах) эффективной становится и схема с ТНУ без утилизации тепла вентиляционного выброса, хотя она и уступает схеме с входным теплообменником. В южных районах Молдовы, Украины, России и Южного Кавказа в крупных городах с централизованным теплоснабжением от ТЭЦ при стоимости тепловой энергии до 15-18 \$/МВтч целесообразно использовать традиционные схемы. При более высокой стоимости энергии от внешнего источника следует применять схемы с ТНУ (в первую очередь, с входным теплообменником).

Как это было отмечено во введении, в Грузии имеются значительные гидроэнергетические ресурсы. Поэтому, в перспективе строительство ГЭС будет положительно влиять на стабилизацию цен в энергосистеме [4].

В результате широкого освоения гидроэнергетических ресурсов, в будущем цены на электроэнергию не увеличатся. Поэтому, по сравнению с другими, рассмотренными нами не выделяющимися значительными гидроресурсами странами, Грузия со своей климатогеографическими условиями по масштабам внедрения ТНУ окажется в более лучшей ситуации.

В будущем в результате введения в стране дифференцированных тарифов на электроэнергию, еще более эффективными станут теплонасосные системы теплохладоснабжения в промышленности и в сфере коммунально-бытового хозяйства для обеспечения теплом систем отопления и горячего водоснабжения.

Выводы

Проведенные нами исследования по установлению экономической эффективности по применению ТНУ в системах кондиционирования воздуха по сравнению с традиционными системами, показали, что с использованием комплексных систем теплонасосного теплохладоснабжения потребление органического топлива уменьшается на 30÷40%, а годовые затраты на 21÷32%. Вместе с тем, полностью исключается загрязнение окружающей среды продуктами сгорания органического топлива, что

радикально улучшит экологическую ситуацию в стране.

Литература

1. Мирианашвили Н.А., Везиришвили О.Ш., Маграквелидзе Т.Ш., Ломидзе Х.Н. Технические показатели систем кондиционирования воздуха с использованием тепловых насосов// Сборник трудов конференции, фонд «Зеленая земля», Тбилиси, 2003 г. с. 131-134.
2. Везиришвили К.О., Мирианашвили Н.А. Обобщение результатов опыта эксплуатации тепловых насосов для тепло и хладоснабжения технологических и комфортных систем// Труды ИСУ АН Грузии. №6, 2002 г. с. 93-95.
3. Мирианашвили Н.А., Везиришвили О.Ш., Джаникашвили М.К. Оптимизация децентрализованных систем теплохладоснабжения с применением теплонасосных установок// РСРЕ-2004. Тбилиси 27.09.2004 – 1.10.2004. PE 12(575-578).
4. Мирианашвили Н.А., Везиришвили К.О., Джаникашвили М.Г., Везиришвили О.Ш. Охрана окружающей среды при применении энергоснабжающих теплонасосных установок// Сборник докладов международной научной конференции «Информационные технологии в управлении», Тбилиси, 2007. с. 462-464.

СТРУКТУРНИЙ МЕТОД ЗМЕНШЕННЯ ПОХИБКИ ВИМІРЮВАЛЬНОГО ПЕРЕТВОРЮВАЧА ДЛЯ СИСТЕМ УПРАВЛІННЯ ОСВІТЛЕННЯМ

Семенець Д.А.

*Навчально-науковий професійно-педагогічний інститут УППА (м. Бахмут)
кандидат технічних наук, доцент
Бахмут*

STRUCTURAL METHOD FOR REDUCING TRANSDUCER ERROR FOR LIGHTING CONTROL SYSTEMS

Semenets D.

*Educational and Scientific
Professional Pedagogical Institute UEPA, (Bahmut)
Ph.D., Associate Professor
Bahmut*

АНОТАЦІЯ

У роботі розглянуті основні принципи побудови вимірювальних перетворювачів на базі фоточутливих резисторів. Проаналізовані принципи перетворення, особливості їх роботи, визначені функції перетворення. Запропонований структурний метод поліпшення метрологічних характеристик вимірювальних перетворювачів для використання їх в системах управління штучним освітленням. Отримані розрахункові співвідношення для кількісної оцінки погрешності перетворення. Надані рекомендації для реалізації розглянутого методу.

ABSTRACT

The paper discusses the basic principles of constructing measuring transducers based on photoresistors. The principles of transformation, the features of their work are analyzed, the transformation functions are determined. A structural method for improving the metrological characteristics of measuring transducers is proposed for their use in artificial lighting control systems. Calculated ratios are obtained for a quantitative assessment of the conversion error. Recommendations for the implementation of the considered method are formulated.

Ключові слова: система управління штучним освітленням; фоточутливий резистор; вимірювальний перетворювач; точність перетворення.

Keywords: control the system by lamplight, photoresistor, measuring transformer, metrology description, exactness of transformation.

Постановка проблеми. Сучасна державна політика енергозбереження обумовлює жорсткі вимоги до ефективності систем штучного освітлення, і як наслідок - до автоматизації таких систем. Забезпечення санітарних вимог одночасно з високим рівнем енергоефективності вимагає як використання економічних джерел світла, так і сучасних електронних систем управління (стабілізації) освітленості.

Протягом попередніх років в освітлювальних пристроях використовувалися люмінесцентні лампи для запалювання та стабілізації струму яких застосовували як електромагнітні, так і електронні баласты. Однак їх використання, попри певну енергоощадність у порівнянні з лампами розжарювання, пов'язане з нетривалим терміном служби, тривалим часом вмикання, складністю реалізації джерел світла динамічного освітлення, при якому яскравість джерела світла може змінюватися в широких межах.

З появою світлодіодних джерел світла ряд вказаних вище недоліків вдалося усунути. Використання таких освітлювальних пристроїв, як світлодіодні лінійні лампи та світлодіоди прожектори, незважаючи на порівняно більшу вартість, дозволило підвищити їх якісні та кількісні світлотехнічні показники. Великий асортимент світлодіодних освітлювальних пристроїв та електронних засобів для регулювання їх струму обумовлює можливість створення ефективних систем управління, важливим компонентом яких є вимірювальний перетворювач (ВП) рівня освітленості [1].

В якості вимірювального датчика освітленості пропонується велика кількість різноманітних електронних елементів. Фоторезистори для вимірювання видимого спектру оптичного випромінювання на базі сульфиду кадмію ($\lambda_p \approx 0,53$ мкм) мають порівняно великий час відгуку (типове значення - 50 мс). Темновий опір - порядку 1 МОм знижується нелінійно із зростанням освітленості до приблизно 1 кОм. Співвідношення між опором R і повною потужністю падаючого світла вкрай нелінійно $I g R = a - b \cdot I g (PA)$, де P - інтенсивність освітлення; A - площа чутливої поверхні і a, b - константи. Температурна стабільність резисторів невелика і залежить від складу, методу виготовлення і рівня освітленості. Крім того, нульове значення міняється з часом в межах до 20% за 1000 годин [2]. Тому застосування цих приладів обмежене, оскільки вони непридатні для швидкого відгуку або точного вимірювання [3]. Проте, слід відзначити, що ці датчики достатньо чутливі (кратність зміни опору від темного стану до нормованої освітленості досягає декількох тисяч), їх вартість невелика, тому вирішення задач застосування їх в локальних системах управління штучним освітленням є актуальним.

Аналіз останніх досліджень та публікацій. В дійсний час достатньо багато уваги приділяється

розробці різноманітних систем управління штучного освітлення в умовах промислових та громадянських об'єктів. При цьому широко використовуються цифрові та комп'ютерно-інтегровані технології, первинні вимірювальні перетворювачі освітлення працюють з АЦП, що дозволяє компенсувати відомі закони похибок та забезпечувати нормативну точність вимірювань.

Завдання забезпечення на робочих місцях рівня освітленості не нижчого від нормованою протягом усього робочого часу, запобігання нераціональному використанню штучного світла в найбільш світлий час доби, увімкнення або вимкнення окремих груп світильників чи регулювання їх світлового потоку залежно від змін природної освітленості традиційно вирішується засобами інтелектуальних систем управління [4]. Для вимірювання рівня освітленості використовують чутливі датчики на основі тонкоплівкових фоточутливих резисторів, фотодіоди (фототранзистори), спеціальні інтелектуальні датчики з розширеним спектром вимірювання та АЦП послідовного наближення на основі комутованої матриці конденсаторів, який, в свою чергу, обробляє вхідні дані та передає їх порозрядно, починаючи зі старшого розряду в комп'ютерну систему обробки даних.

Визначення невирішених раніш частин загальної проблеми.

Існуючі технічні рішення використання фоторезисторних вимірювальних перетворювачів (ВП) в більшості спрямовані на їх використання в пристроях управління освітленням позиційної дії. Питанням побудови ВП на базі фоторезисторів з покращеними метрологічними характеристиками приділяється недостатньо уваги.

При побудові електронних ВП з фоторезисторами можна використовувати декілька методів, що забезпечують отримання необхідних параметрів точності і бажаних характеристик. В сукупності методів, вживаних для поліпшення метрологічних характеристик, можуть бути виділені: параметричні; з використанням зворотних зв'язків (ЗЗ); компенсаційні і мостові; структурні; тестові; алгоритмічні; модуляційні [5].

Мега публікації. В представленій роботі розглянуті та проаналізовані найбільш доступні структурні методи підвищення точності при розробці вимірювального перетворювача на базі фоторезисторів для використання у аналогових локальних системах управління штучним освітленням.

Викладення основного матеріалу. До структурних методів віднесені ті методи, при використанні яких завдяки наявності регульованих або нерегульованих високоточних функціональних вузлів і компонентів, або зміни структури перетворювального пристрою, можна отримати бажані метрологічні характеристики навіть без використання негативного зворотного зв'язку. При цьому ВП виявляються структурно стійкими (при застосуванні стійких функціональних вузлів). Теоретично при

використанні структурних методів не виникає проблем із забезпеченням стійкості і не вимагається корекції характеристик функціональних вузлів, без якої, як правило, не обходяться електронні ланцюги, охоплені ланцюгами ЗЗ [6].

Проте на практиці проблеми із забезпеченням стійкості є завжди, оскільки при створенні високоточних електронних функціональних вузлів в більшості випадків застосовується ЗЗ в тому або ін-

шому вигляді. Структурні методи завжди використовуються у поєднанні з параметричними і методами ОС. При рішенні технічної задачі підвищення точності ІП структурні методи є другими по значущості після методів зворотного зв'язку. Їх характерною особливістю є функціональна стійкість і відсутність яких-небудь проблем з її забезпеченням.

На рис. 1 показані спрощені принципові схеми найбільш розповсюджених ВП з використанням фоторезисторів на базі операційних підсилювачів.

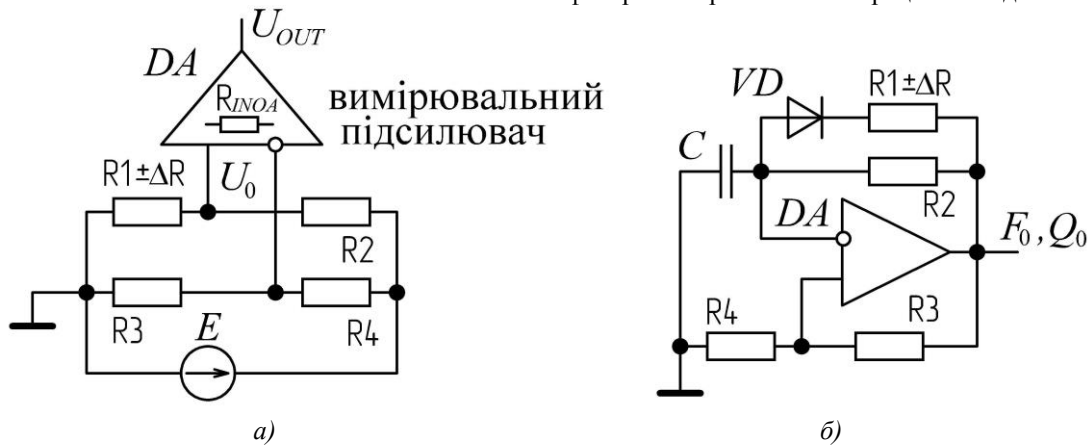


Рис. 1. Принципові схеми вимірвальних перетворювачів на базі фоторезистора

Перша схема (рис. 1а) – традиційний перетворювач «опір - напруга» з використанням одинарного мосту постійного струму. Потрібний коефіцієнт перетворення схеми отримується за допомогою різницевого вимірального підсилювача та при використанні сучасних типів операційних інструментальних підсилювачів точність відтворення заданих параметрів є достатньо високою. Тобто, основним елементом, який визначає функцію перетворення ВП та її точність є мостова схема. Як показано у роботі [7], чутливість мостової схеми визначається рівнянням

$$S_{MU} = \frac{E}{R_1^2} \frac{1}{(1+m)[q(1+1/m)+1+n]}, \quad (1)$$

де коефіцієнти n, m, q – кратність опорів схеми мосту по відношенню до опору фоторезистору R_1 : $R_2 = mR_1$; $R_3 = nR_1$; $R_{INOA} = qR_1$; $R_4 = mnR_1$. При відомих та фіксованих значеннях n та q чутливість максимальна при величині

$$m = \sqrt{q(1+q+n)}, \quad (2)$$

тобто для випадку мосту другої симетрії ($R_1 = R_3, R_2 = R_4, n=1$) та $q=5$, коефіцієнт $m = \sqrt{5(1+5+1)} \approx 6$.

Функція перетворення зміни опору фоторезистору ΔR_1 в вихідну напругу схеми має вигляд:

$$U_0 = \Delta R_1 \cdot E \frac{R_4}{A + \Delta R_1 \cdot B}, \quad (3)$$

де $A = R_1R_3 + R_1R_4 + R_2R_3 + R_2R_4$;

$$B = R_3 + R_4.$$

Друга схема (рис. 1б) – мультивібратор на базі операційного підсилювача, в якому фоторезистор ввімкнено в коло від'ємного зворотного зв'язку, завдяки чому опір фоторезистора впливає на частоту та шпаруватість вихідних прямокутних імпульсів. Перетворення «Опір - частота» («Опір – шпаруватість») є більш перешкодостійким, вихід схеми сумісний з цифровою системою управління без додаткового АЦП. Крім того, більшість сучасних ІМС драйверів для світлодіодів та диммерів має як аналоговий вхід напруги керування, так і вхід ШІМ - управління, така схема спрощує побудову автоматичної системи стабілізації рівня освітленості.

Функції перетворення опору фоторезистивного датчика в інформаційні параметри – частоту F_0 та шпаруватість Q_0 визначаються співвідношеннями:

$$F_0 = \frac{1}{R_2 \cdot C \cdot \Lambda} \cdot \frac{(R_1 + \Delta R) + R_2}{2(R_1 + \Delta R) + R_2}, \quad (4)$$

$$Q_0 = \frac{2(R_1 + \Delta R) + R_2}{(R_1 + \Delta R) + R_2}, \quad (5)$$

де $\Lambda = \ln(1 + 2R_4/R_3)$.

Незважаючи на відносну простоту розглянутих схем ВП, технічна реалізація пристроїв передбачає наявність визначених похибок перетворення, пов'язаних з реальними технічними характеристиками елементів схем.

В дійсний час багато інтелектуальних пристроїв (інтелектуальні датчики, інтелектуальні перетворювачі, адаптивні пристрої та інші) реалізу-

ють із застосуванням структурних методів поліпшення точних характеристик. При подальшому розгляді структурного методу покращення точності позначимо функцію перетворення основного ВП, параметри якого поліпшуються, K_1 . Необхідну фу-

нкцію перетворення позначимо K . В структуру покращеного ВП (рис. 2а) введено прецизійний зворотний перетворювач ЗвП, функція перетворення якого рівна величині, рівній зворотному значенню необхідної функції перетворення, тобто $K_{OK} = 1/K$.

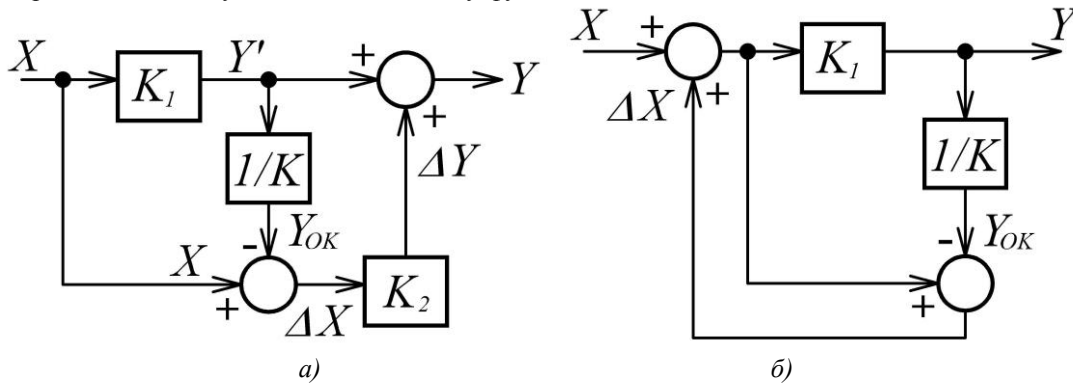


Рис. 2. Структура стійкого точного електронного вимірювального перетворювача

За умови $K_1 = K$ і відсутності погрішності перетворення буде справедливе рівняння:

$$\Delta X = X - Y_{OK} = X - X \cdot K \cdot \frac{1}{K} = 0$$

Якщо у основного вимірювального перетворювача є погрішність $K_1 = K + \Delta K_1$, то сигнали X і Y_{OK} не рівні між собою і на виході порівняльного пристрою з'явиться сигнал ΔX , який дорівнює приведенню до входу сигналу погрішності перетворення. Він подається на вхід допоміжного перетворювача, функція перетворення якого K_2 близька до необхідної функції з точністю $K_2 = K + \Delta K_2$

Цей перетворювач перетворить сигнал погрішності. У суматорі сигнал погрішності перетворення ΔY підсумовується з сигналом основного перетворювача. В результаті цього підсумкове значення погрішності істотно зменшується.

Тобто, суть методу полягає в тому, що за допомогою зворотного перетворювача і порівняльного пристрою визначається значення погрішності, приведення до входу. Сигнал погрішності перетворюється у вихідний сигнал за допомогою додаткового ВП, аналогічного основному. На виході цього ВП з'являється сигнал, близький за значенням до погрішності вихідного сигналу основного ВП. Підсумовуючи сигнал погрішності з вихідним сигналом основного ВП Y вдається істотно підвищити точність перетворення і поліпшити характеристики ВП.

Кількісну оцінку впливу на функцію перетворення додаткових функціональних вузлів, проведемо на підставі рівнянь, що характеризують сигнали окремих функціональних вузлів. При цьому враховуємо те, що зворотний перетворювач має погрішність перетворення і замість значення $1/K$ його функція перетворення може дорівнювати $1/(K + \Delta K_3)$.

Отримано рівняння для вихідного сигналу:

$$Y = X \cdot \left(K - \frac{\Delta K_1 \Delta K_2}{K + \Delta K_3} + \frac{K \Delta K_3 + \Delta K_2 \Delta K_3 + \Delta K_1 \Delta K_3}{K + \Delta K_3} \right). \quad (6)$$

Враховуючи, що на практиці $K \gg \Delta K_3$ і $K + \Delta K_3 \approx K$ проводимо перетворення:

$$Y = X \cdot K \left(1 - \frac{\Delta K_1 \Delta K_2}{K^2} + \frac{\Delta K_3}{K} + \frac{\Delta K_2 \Delta K_3 + \Delta K_1 \Delta K_3}{K^2} \right). \quad (7)$$

З метою подальшого спрощення знехтуємо складовими, що містять в знаменнику другу ступінь функції перетворення, після чого отримуємо:

$$Y \cong X \cdot K \left(1 + \frac{\Delta K_3}{K} \right). \quad (8)$$

Таким чином, при використанні структурного методу корекції погрішність ВП в першу чергу залежить від точності отримання необхідної функції перетворення у зворотного перетворювача ЗвП.

Абсолютно аналогічно можна показати, що суматор вносить погрішності, які ніяк не компенсуються за допомогою даних методів. Погрішність

суматора алгебраїчно підсумовуватиметься з погрішністю зворотного перетворювача.

Технічні труднощі створення високоякісних аналогових суматорів обмежують потенційні можливості запропонованого методу підвищення точності. Доцільно реалізувати їх спільно з методами зворотних зв'язків та операції підсумовування реалізувати цифровими методами.

При необхідності додаткового підвищення точності аналогічно розглянутому можна створити додатково n ланцюгів корекції. Для кожного з таких кіл вихідний сигнал повинен зніматися з виходу суматора попереднього кола, який виконує корекцію.

Для розглянутого структурного методу для забезпечення інваріантності характеристик перетворення можливо виключити з структури другий перетворювач K_2 , ідентичний першому. Сигнал погрішності ΔX , отриманий аналогічно тому, як це було зроблено у випадку, розглянутому вище, підсумується з вхідним сигналом в суматорі, який встановлений на вході схеми. При цьому буде досягнутий той же ефект, що і у попередньому випадку. Проте вимоги до суматора, встановленого на вході, різко зростають. Його нестабільності і погрішності збільшуються в K разів і кола корекції їх ніяк не зменшують. Тому, не дивлячись на очевидні економічні переваги структури ВП, аналогічні (рис. 2б), на практиці застосовують дуже рідко.

Можливості інваріантних структур електронних ВП поки використовуються недостатньо. Сучасний рівень розвитку технологій мікроелектроніки, при використанні яких вартість ВП мало залежить від кількості використаних в ній елементів, роль структурних методів в створенні прецизійних електронних ВП поступово збільшується.

Слід звернути увагу на більшу, ніж у звичайних ВП, надійність структур. Так, якщо один з перетворювачів $K1$ або $K2$ вийде з ладу, то працездатність ВП збережеться, хоча метрологічні характеристики вийдуть за межі нормованих значень.

Висновки та пропозиції. Реалізувати переваги структурного методу підвищення точності ВП вдається тільки за наявності високоточних взаємозворотних перетворювачів і високоякісних суматорів електричних сигналів. Якщо цього забезпечити не можна, то ефективність застосування структурних методів підвищення точності буде невеликою.

Метод пов'язаний з апаратною надмірністю і відповідно більшою вартістю і складністю принципової схеми ВП. Однак, сучасний стан технологій нівелює ці недоліки, і кількість прецизійних ВП, в яких застосовані структурні методи поліпшення характеристик, безперервно збільшується. При використанні структурних методів підвищення точності доводиться пред'являти жорсткі вимоги до точності і стабільності параметрів і характеристик функціональних вузлів, що входять до складу ПП аналогічно

тому, як це доводиться робити в схемах з конверторами негативних опорів і провідності. Тому на практиці структурні методи і методи зворотного зв'язку використовуються одночасно.

Розглянуті в роботі особливості методу для ВП світлових величин дозволяють обирати оптимальний принцип перетворення та визначати технічні параметри елементів ВП. Перспективою подальших досліджень є розробка математичної моделі та подальше комп'ютерне моделювання ВП з покращеними характеристиками з метою розробки інженерних рекомендацій для проектування перетворювачів.

Література

1. Белякова І. Дослідження електричних параметрів світлодіодних джерел світла / І. Белякова, В. Медвідь, В. Пісьціо, Р. Трембач // Вісник ТНТУ - Тернопіль : ТНТУ, 2014. - Том 75. - № 3. - С. 180-187.
2. Джексон Р.Г. Новейшие датчики. / Р.Г. Джексон – Москва: Техносфера, 2007. – 384 с.
3. Фрайден Дж. Современные датчики. Справочник / Дж. Фрайден – Москва: Техносфера, 2005. – 592 с.
4. Синеглазов В.М. Автоматична система керування інтенсивністю освітлення в навчальних та виробничих приміщеннях / В.М. Синеглазов, М.Ф. Тупіцин, М.А. Прокопчук // Електроніка та системи управління. - 2010. - №1(23). – С. 39 – 45.
5. Гусев. В.Г. Методы построения точных электронных устройств [Электронный ресурс]: учеб. пособие / В.Г. Гусев, Т.В. Мирина; науч. ред В.С. Фетисов - 3-е изд., стер. - М.: ФЛИНТА, 2012. -268 с.
6. Клаассен К. Основы измерений. Датчики и электронные приборы: Учебное пособие / К. Клаассен – 3-е изд. – Долгопрудный: Издательский дом «Интеллект», 2008 – 352 с.
7. Миронов Э.Г. Метрология и технические измерения: учебное пособие / Э.Г. Миронов, Н.П. Бессонов. – М.:КНОРУС, 2015. – 422 с.

ДИАГНОСТИКА НЕИСПРАВНОСТЕЙ ОБМОТКИ СТАТОРА АСИНХРОННЫХ ГЕНЕРАТОРОВ АВТОНОМНЫХ ВЕТРО-СОЛНЕЧНЫХ ЭЛЕКТРОСТАНЦИЙ

Соболь А.Н.,

Федеральное государственное бюджетное образовательное учреждение высшего образования «Кубанский государственный аграрный университет имени И.Т. Трубилина», г. Краснодар, Россия, доцент

Андреева А.А.

Федеральное государственное бюджетное образовательное учреждение высшего образования «Кубанский государственный аграрный университет имени И.Т. Трубилина», г. Краснодар, Россия, студент

DIAGNOSTIC STATOR WINDING FAULTS ASYNCHRONOUS GENERATORS AUTONOMOUS WIND-SOLAR POWER PLANTS

Sobol A.,

Federal State Budgetary Educational Institution of Higher Education "Kuban State Agrarian University named after I.T. Trubilin", Krasnodar, Russia,

associate professor

Andreeva A.

Federal State Budgetary Educational Institution of Higher Education "Kuban State Agrarian University named after I.T. Trubilin", Krasnodar, Russia, student

АННОТАЦИЯ

Проблема эксплуатации автономных ветро-солнечных электростанций, связанная с возможными неисправностями автономных асинхронных генераторов ветроустановки. Самыми распространенными неисправностями являются замкнутые на коротко витки обмотки. Имея небольшое их количество (не более 5 %), генератор продолжает свою работу. При этом наблюдается перегрев обмоток, что может послужить причиной выхода из строя электрической машины, возникновения возгорания и, на конец, нарушения системы электроснабжения в целом. Необходимо диагностировать данные виды неисправностей, то есть получить соответствующей информации об параметрах токов и напряжений генератора.

ABSTRACT

The problem of operation of autonomous wind-solar power plants associated with possible malfunctions of autonomous asynchronous wind turbine generators. The most common faults are short-circuited windings. Having a small number of them (no more than 5%), the generator continues its work. In this case, overheating of the windings is observed, which can cause failure of the electric machine, the occurrence of fire and, at the end, a disruption of the power supply system as a whole. It is necessary to diagnose these types of malfunctions, that is, to obtain relevant information about the parameters of the generator currents and voltages.

Ключевые слова: эксплуатация, ветро-солнечная электростанция, витковые замыкания в обмотке статора, автономный асинхронный генератор.

Keywords: operation, wind-solar power plant, turn circuits in the stator winding, autonomous asynchronous generator.

Мировая тенденция роста тарифов на электроэнергию, которая связана с постоянным удорожанием не возобновляемых энергетических ресурсов планеты, ведет к тому, что мы все более решительно и напористо решаем вопросы использования альтернативной энергетики в нашей жизни. Одними из таких «дармовых» энергетических ресурсов для человечества и являются неиссякаемая энергия ветра и солнца.

Однако ученые пришли к выводу, что комплексное их применение в промышленности или частном секторе – намного эффективней, нежели применение этих энергоресурсов порознь. Исходя из таких соображения, на свет и родилась идея создания мобильных ветро-солнечных гибридных электростанций, использующих, как вы уже наверно поняли, в качестве энергоносителей – энергию ветра и солнца.

Данный тип мобильных электростанций – является гибридной системой накопительного инверторного типа, работающей в комплексе как на возобновляемых природных энергоресурсах, коими являются для человечества ветер и энергия солнечного излучения, а также и с использованием жидкого топлива.

Для условий, к примеру, России, а в особенности ее средней полосы, где количество ветряных (пасмурных) и солнечных дней в году примерно одинаково, применение таких гибридных ветросолнечных электростанций небольшой мощности – просто идеальный вариант для его использования в частном секторе.

Такая гибридная электроустановка по выработке электроэнергии, способна обеспечить стабильность ее поступления в сети небольших коттеджных поселков, загородных домов и небольшого частного бизнеса.

Аккумуляция энергии, полученной от «первоисточников», в этих энергосистемах – происходит в аккумуляторных батареях, с их напряжением 12 или 24 Вольт. Далее, этот постоянный ток с аккумуляторных батарей станции, посредством инвертора, преобразуется в напряжение 220. В силовой электрической сети и частотой тока 50 Гц.

Электростанции данного типа предназначаются для энергопотребителей электрических бытовых сетей переменного тока с частотой 50 Гц и напряжением в сети 220 В, а также потребителей постоянного тока с напряжением 12, 24 и 48 Вольт. Использоваться такие электростанции могут, как в стационарных условиях при их подключении к существующим бытовым электросетям, а также и для условий возникновения аварийных или чрезвычайных ситуаций – в качестве аварийно-резервного источника энергоснабжения.

Как указано в [1, с. 2], по сей день все еще актуальным остается вопрос использования автономных асинхронных генераторов (ААГ) с емкостным возбуждением в ветроэлектрических установках.

Асинхронные генераторы устойчивы к коротким замыканиям, а устройства автоматической регулировки напряжения сглаживают перепады напряжения. Поэтому они особенно востребованы для электросварки и питания активных нагрузок. Конструкция таких агрегатов более простая, а сами они более надежные и долговечные.

Клирфактор асинхронных агрегатов составляет не более 2%, и это обозначает, что они вырабатывают электроэнергию практически без вредных составляющих. Поэтому при использовании таких агрегатов телевизионные приемники, источники бесперебойного питания работают устойчивее, а сварочные аппараты обеспечивают более качественный шов.

Роторы асинхронных генераторов производят незначительное тепловыделение, не требующее охлаждения, что позволяет герметизировать внутреннюю полость агрегата. Благодаря этому значительно расширяется сфера использования агрегатов, которые могут эксплуатироваться в условиях повышенной запыленности и высокой влажности. Такая герметизация способствует и более продолжительному сроку службы электростанций. При эксплуатации асинхронных генераторов допускается подключение к разным фазам потребителей разной мощности (допустимое значение неравномерности нагрузок по фазам составляет до 70%), что практически невозможно в случае использования синхронных агрегатов.

Ветрогенераторы электростанций используют либо для зарядки аккумуляторов, либо как не единственные в системе, т.е. перегрузок в системе с вет-

рогенераторами быть не должно, поэтому и используются простые, эффективные и надёжные асинхронные генераторы. В других системах часто нет буферов (аккумуляторов) поэтому вероятность возникновения перегрузок достаточно высока, что и не даёт использовать асинхронные генераторы.

Асинхронные генераторы также подвержены различным техническим недостаткам как, например, нестабильностью напряжения. Кроме того, как отмечено в [2, с.3], существует еще одна возможная техническая проблема эксплуатации данного вида генераторов, связанная с возможными повреждениями в его обмотках. Так, в короткозамкнутой обмотке ротора возможно наличие поврежденных стержней. Данный вид повреждения называется обрывом стержня и может возникать из-за различных причин, например, из-за перегрева генератора.

В обмотке же статора, что описано в [3, с.2], также возможно возникновение различных повреждений. Среди данных неисправностей самыми распространенными являются замкнутые на коротко витки обмотки. Имея небольшое их количество (не более 5 %), генератор продолжает свою работу. При этом наблюдается перегрев обмоток, что может послужить причиной выхода из строя электрической машины, возникновения возгорания и, на конец, нарушения системы электроснабжения в целом. Это все обуславливает необходимость диагностирования данных видов неисправностей, то есть получения соответствующей информации об изменении токов и напряжений генератора. Зная соответствующую информацию, можно диагностировать данный вид нарушения нормальной работы генератора на ранней стадии и, соответственно, вовремя устранить конкретную неисправность. Кроме того, этот момент приобретает особую важность в свете того, что при выходе из строя электроустановки с генератором, мы получаем соответствующий технологический ущерб.

Для асинхронных электродвигателей были проведены исследования токов при внутренних повреждениях экспериментально и моделированием. В создании устройств релейной защиты асинхронных генераторов трудность заключается в том, что пока мало исследованы процессы при внутренних коротких замыканиях (КЗ) в обмотке статора генератора и не определены информативные параметры или признаки, характеризующие соответствующие повреждения [1, с.1].

Для эксперимента была подготовлена установка с асинхронным генератором, выполненная на базе асинхронного электродвигателя с короткозамкнутым ротором типа 4А100S4У3 (3 кВт, 1435 об/мин) [1, с.1]. Схема установки изображена на рисунке 1.

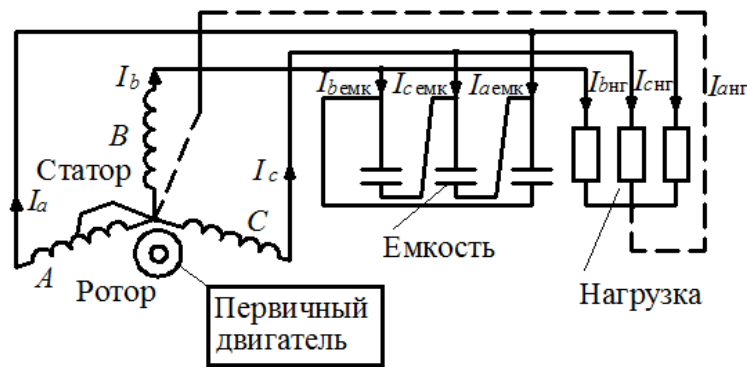


Рисунок 1 - Схема экспериментальной установки

При использовании автономного асинхронного генератора его привод может иметь различную механическую характеристику. Характеристика может быть «жесткой», когда число оборотов практически не зависит от нагрузки, и «мягкой», при существенной зависимости числа оборотов привода от его нагрузки.

В эксперименте асинхронный генератор приводился во вращение двигателем постоянного тока (привод генератора с «мягкой» механической характеристикой, индекс «2»), или асинхронным двигателем (привод генератора с «жесткой» механической характеристикой, индекс «1»). Мощность приводных двигателей была соизмерима с мощностью асинхронного генератора. Напряжение генератора на момент замыкания поддерживалось равным 220 В.

Искусственные замыкания между различными витками в фазных обмотках автономного асинхронного генератора создавались с помощью специальных, предварительно выведенных наружу из лобовой части обмотки статора, выводов.

Опыты показали, что при витковых и междупазных КЗ в обмотке статора и малом числе замкнутых витков генератор не теряет возбуждения, а ток в короткозамкнутой части обмотки увеличивается в 5-10 раз по сравнению с номинальным. Генератор теряет возбуждение только при 15–30 % замкнутых витков в зависимости от нагрузки и величины емкости возбуждения.

На рисунке 2 показаны кривые изменения токов КЗ ААГ с приводами, имеющими «мягкую» и «жесткую» характеристики в зависимости от процентного соотношения числа замкнутых витков к числу витков в фазе (W , %).

$$W = W_k / W_0,$$

где W_k - число замкнутых витков;

W_0 - число витков в фазе.

Из данных эксперимента видно, что вне зависимости от вида привода ток в замкнутых витках уменьшается при их увеличении. Уменьшение тока при малом числе замкнувшихся витков обусловлено влиянием сопротивления проводника закорачивающего витки.

Таким образом, в результате экспериментальных исследований установлено, что при наличии в статорной обмотке автономного асинхронного генератора 3 – 15 % короткозамкнутых витков он не теряет возбуждения и продолжает питать нагрузку. При этом ток в КЗ витках превышает номинальный в 4 – 7 раз. Поэтому для асинхронных генераторов для безопасной эксплуатации асинхронных генераторов в гибридных энергоустановках, они должны иметь надежную защиту от различных неисправностей, возникающих в их обмотках.

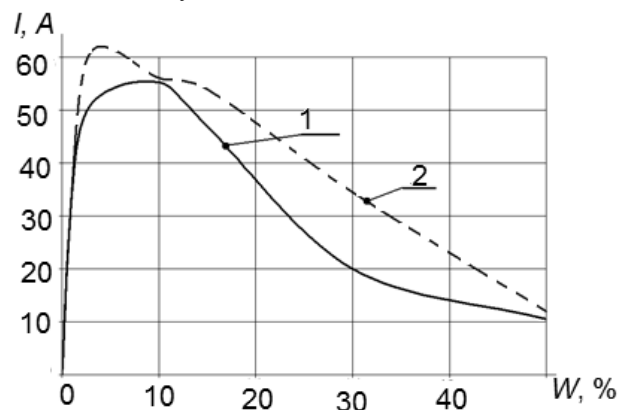


Рисунок 2 – Кривые изменения токов КЗ витков ААГ: 1 – привод с «жесткой» характеристикой; 2 – привод с «мягкой» характеристикой

Из данных эксперимента видно, что вне зависимости от вида привода ток в замкнутых витках уменьшается при их увеличении. Уменьшение тока при малом числе замкнувшихся витков обусловлено влиянием сопротивления проводника замыкающего витки.

Таким образом, в результате экспериментальных исследований установлено, что при наличии в статорной обмотке автономного асинхронного генератора 3 – 15 % короткозамкнутых витков он не теряет возбуждения и продолжает питать нагрузку. При этом ток в КЗ витках превышает номинальный в 4 – 7 раз. Поэтому для асинхронных генераторов для безопасной эксплуатации асинхронных генераторов в гибридных энергоустановках, они должны иметь надежную защиту от различных неисправностей, возникающих в их обмотках.

В настоящее время имеется возможность использования устройств защиты реагирующих на несимметрию магнитного поля внутри генератора в случае виткового КЗ в статорной обмотке (при размещении кольца, охваченного ферромагнитным сердечником, внутри электрической машины) [5, с.2].

Возможно построение других защит, например, реагирующих на вибрацию корпуса генератора в случае повреждения обмотки статора или роторной обмотки. В качестве чувствительного устройства защиты, позволяющего определять и витковые замыкания обмоток статора автономного асинхронного генератора, имеется возможность использовать устройство, основанное на использовании датчика вибрации, который крепится на корпус генератора.

Литература

1. Богдан А.В. Обнаружение виткового замыкания в обмотке статора асинхронного генератора / А.В. Богдан, А.Н. Соболев, Н.С. Баракин // Сельский механизатор, № 7-8, 2018.
2. Богдан А.В. Информационные признаки повреждения обмотки статора для построения релейной защиты автономного асинхронного генератора / А.В. Богдан, А.Н. Соболев // Известия вузов. Электромеханика, № 6, 2017.
3. Богдан А.В. Математическая модель самовозбуждения автономного асинхронного генератора / А.В. Богдан, А.Н. Соболев // Известия вузов. Электромеханика, № 2, 2012.

ПАРАМЕТРЫ ЭВАКУАЦИИ ДЕТЕЙ МЛАДШЕГО ШКОЛЬНОГО ВОЗРАСТА С УЧРЕЖДЕНИЙ СРЕДНЕГО ОБРАЗОВАНИЯ С ИНКЛЮЗИВНЫМИ КЛАССАМИ

*Ковальшин В.В.,
Хлевной А.В.,
Харышин Д.В.*

*Львовский государственный университет безопасности жизнедеятельности
Львов*

PRIMARY SCHOOL-AGED CHILDREN EVACUATION FROM SECONDARY EDUCATION INSTITUTIONS WITH INCLUSIVE CLASSES

*Kovalyshyn V.,
Khlevnoy O.,
Haryshyn D.*

*Lviv State University of Life Safety
Lviv, Ukraine*

АННОТАЦИЯ

В процессе создания инклюзивной образовательной среды прежде всего необходимо обеспечить безопасные условия обучения. Сбор и обработка статистических данных о параметрах движения эвакуационных потоков с инклюзивных классов является актуальной задачей.

В статье представлены результаты экспериментальных исследований параметров движения детей младшего школьного возраста на горизонтальных участках пути при эвакуации из учреждений школьного образования с инклюзивными классами. Установлены зависимости скорости и интенсивности движения от их плотности на горизонтальных участках пути.

ABSTRACT

The process of introducing an inclusive educational environment demands providing safe learning conditions. The collection and processing of statistical data on the parameters of evacuation flows movement from inclusive classes is an urgent task.

The article presents the results of experimental studies of the movement parameters of primary school-aged children on horizontal sections during evacuation from school institutions with inclusive classes. The dependences of the speed and intensity of evacuation flows on their density have been established.

Ключевые слова: начальная школа, дети с особыми образовательными потребностями, инклюзивный класс, эвакуация, натурные наблюдения, эксперимент, скорость, плотность, интенсивность.

Keywords: primary school, children with special educational needs, inclusive class, evacuation, field observations, experiment, speed, density, intensity.

Introduction. Inclusion in education means educational services provided at the state level, based on the principles of non-discrimination and the principles of unhindered involvement of all its participants in the educational process.

Recently, the number of inclusive classes and groups in Ukraine has been growing rapidly. Thus, according to the Ministry of Education and Science of Ukraine, in the period from 2015 to 2020 their number increased almost 7 times. As of January 1, 2020, a total of 19,348 children with special educational needs are enrolled in inclusive classes of Ukrainian schools. In January 2020, the total number of registered inclusive classes in our country was 13,782, and inclusive education was organized in 37% of secondary schools [1].

It is worth noting that for Ukraine inclusive education is an innovation in the field of pedagogy. As a rule, in the initial stages of implementation, all such activities face a large number of challenges. One of the main problems in the introduction of inclusive education is the need to adapt staff, facilities, training programs and other documents for the work of children with special needs.

Particular attention should be paid to ensuring safe learning conditions when creating an inclusive educational environment. It should be noted that in Ukraine the mortality of children in fires exceeds the European Union rate by more than 4 times. Children with special needs are more vulnerable during fires, which emphasizes the relevance of research on fire safety in institutions with inclusive groups [2], in particular, the collection and processing of statistics on the parameters of evacuation flows from inclusive classes.

Actual scientific researches and issues analysis.

A large number of studies aimed at studying movement of adults during the evacuation from various buildings has been performed. Studies based on the use of the psychophysics laws are presented in the works of V. Predtechensky, V. Kholshchevnikov, D. Samoshin, A. Parfenenko, and others. [3, 4]. A large number of field studies have been described in the works of such scientists as G. Prolux, E. Heyes, G. Hedman [5, 6]. Researchers did not also ignore the problem of evacuation of people with special needs. Such studies are presented in the works of V. Kholshchevnikov, V. Sednev, Yu. Burenko. However, a significant number of works abroad (A. F. Van Bogaert, M. Horasan, D. Bruck, H. Klüpfel, R. Ono, A. R. Larusdottir, A. S. Dederichs, etc.) and in the post-Soviet space (V. Kholshchevnikov, D. Samoshin, A. Parfenenko, V. Nizhnyk, O. Teslenko, S. Tsymbalisty) is devoted to the evacuation of children of different ages from educational institutions. At the same time, it is extremely difficult to find data on the study of flow parameters dealing with children with special needs. This is primarily due to the fact that the active implementation of inclusive education is a rather innovative process. In addition, it is quite difficult to ensure the involvement of children with special educational needs in conducting experiments and field observations.

The procedure for organizing inclusive education in secondary schools was approved by the Resolution of the Cabinet of Ministers of Ukraine of August 15, 2011 #872 (due to Resolution of the Cabinet of Ministers #588 of August 9, 2017, a number of changes was made to the Procedure). In accordance with this procedure, the number of children with special educational needs in the inclusive class is as follows:

- not more than three children with musculoskeletal disorders, mental retardation, impaired vision or hearing, mild intellectual disabilities, etc;

- not more than two children who are blind, deaf, with severe speech disorders, including dyslexia, autism spectrum disorders, other complex developmental disorders (hearing, vision, musculoskeletal disorders in combination with intellectual disabilities or mental retardation) or those who move on wheelchairs [7].

To optimize the educational process in inclusive classes, an additional staff unit is provided – a teacher's assistant. Besides other duties, the teacher's assistant is responsible for evacuating children with special educational needs in case of a fire.

The purpose of the article is to collect and process statistical data on the parameters of movement of primary school-aged children during the evacuation from the inclusive classroom.

Methods

Within the work field observations and experimental studies of primary school-aged children in 3 schools with inclusive classes have been conducted, as well as additional experimental studies in several regular schools.

According to the results of initial observations, it was found that the speed of evacuation from inclusive classes, represented by two children in wheelchairs, will be the lowest. Under such conditions, the teacher and the teacher's assistant must ensure the movement of children in wheelchairs and manage the evacuation of other children in the class.

Surveillance camera data were used to collect statistics. The flow density was determined as follows:

1. Since the cameras were fixed statically, the frame from each camera was transferred to the graphic editor Corel Draw, in which the grid was applied to the image. This grid divided the entire observation area into 1x1 m squares.

2. The grid was saved as a graphic file in PNG format. Each camera received its own grid.

3. Using the ShotCut video editing application, the corresponding grid images were superimposed on the recorded video clips.

4. The grid made it possible to determine both the path traveled by the participant of the flow for a certain point in time (hence, the speed of movement), and the number of people in a certain area, i.e. the density of the flow.

This method made it possible to determine the parameters of evacuation in horizontal areas.

Results

According to the results of processing videos made during the movement of primary school-aged children in horizontal areas during the evacuation from educational institutions with inclusive classes, a total of 232 speed measurements were performed at different values of human flow density. The values of the area of the horizontal projection of the participants of the experiment were taken according to DSTU 8828: 2019.

To establish the calculated relationships between speed and flow density, the method proposed by V. Kholshchevnikov was used [8]. The dependence of the human flow speed on its density is described in the general case by the formulas:

$$V_{Dj} = V_{0j} \left[1 - a_j \ln \frac{D}{D_{0j}} \right], \text{ при } D > D_{0j} \quad (1)$$

$$q_{Dj} = V_{Dj} D \quad (2)$$

where

V_{Dj} is the speed of movement in the flow along the j -th section of the route at the corresponding flow density D ;

q_{Dj} - the intensity of the movement in the flow on the j -th section of the route at the corresponding flow density D ;

D - density of human flow in the area of the route;

D_{0j} - the value of the density of human flow in the j -th section of the route, at which the density of the flow begins to affect the speed of people (m^2/m^2);

V_{0j} - the average value of the speed of free movement of people on the j -th section at the corresponding value of flow density, m/min.;

a_j - coefficient that reflects the degree of influence of human flow density on its speed during movement on the j -th section of the route.

According to the results of research, the dependences of the speed and intensity of the of primary school-aged children flow during evacuation from inclusive classes on their density (on the horizontal sections of the route) were established (Fig. 1-2).

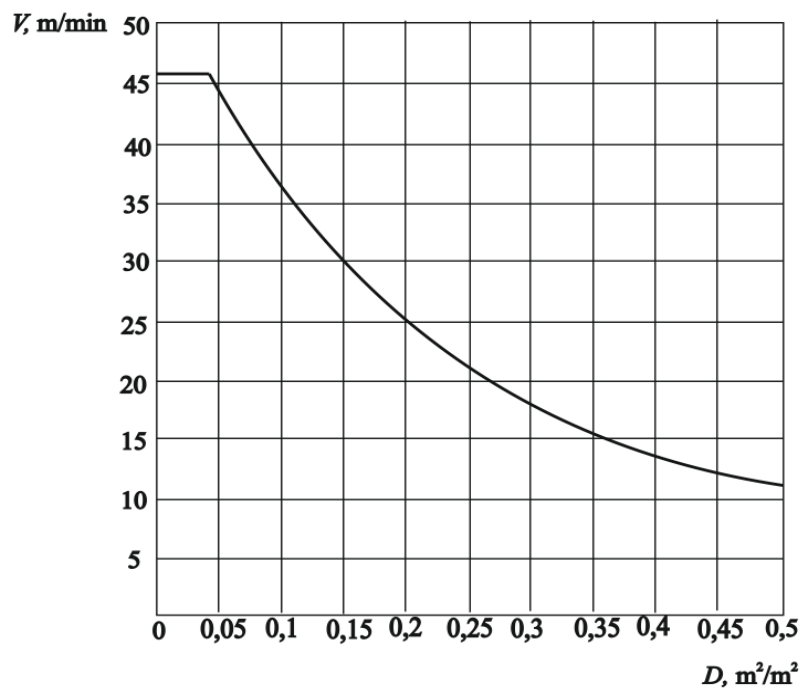


Figure 1 – Dependence of the primary school-aged children flow speed during evacuation from inclusive classes on their density (horizontal sections)

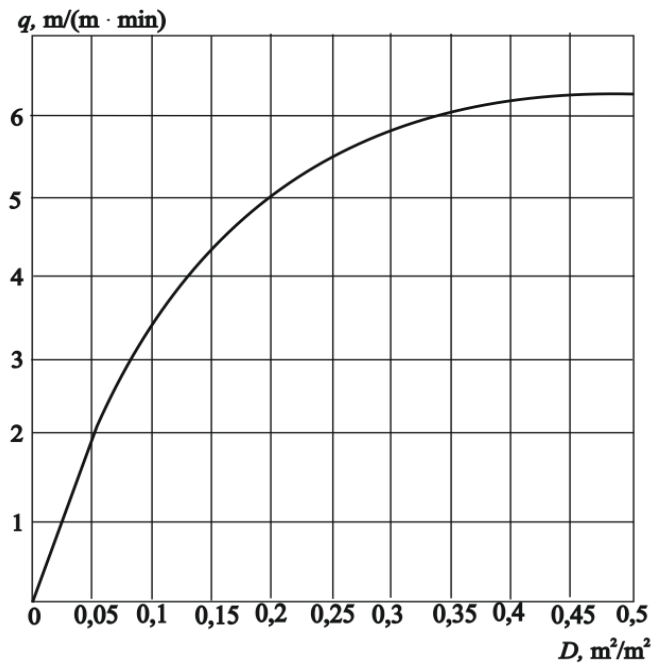


Figure 2 – Dependence of the primary school-aged children flow intensity during evacuation from inclusive classes on their density (horizontal sections)

The obtained values of a_j , D_{Oj} , V_{0j} are presented in table 1.

Table 1

Values of a_j , D_{Oj} , V_{0j}

Route type	Flow type	a_j	D_{Oj} , m^2/m^2	V_{0j} , m/min
Horisontal	Primary school-aged children (2 people on wheelchairs in the flow)	0,288	0,04	46

Conclusion

The results of studies show that the average speed of the primary school-aged children flow (including 2 pupils on the wheelchairs) depends on the actions of teachers and teacher's assistants and is lower than the average speed during evacuation from regular school. It can be calculated by the formula:

$$V_{Dj} = 46 \left[1 - 0,288 \cdot \ln \frac{D}{0,04} \right]$$

The paper defines the parameters of evacuation only for horizontal areas (which is natural, since the classrooms for children using wheelchairs can be located only on the first floors of schools).

The task of the further research is to establish the similar movement parameters for children with special educational needs representing other age groups and disability type, to determine the impact of the presence of such children on the speed of evacuation from educational institutions with inclusive classes and groups.

References

1. Statistics of the Ministry of Education and Science of Ukraine. URL: <https://mon.gov.ua/ua/statistichni-dani>
2. Gorban V. B., Zhezlo N. V., Khlevnoy O. V. (2015) Estimation of normative-legal maintenance of children's traumatism during fires prevention according to the TACTICS method (Proceedings of the All-Ukrainian scientific-practical conference "Ensuring fire and man-made safety", Kharkiv, October 29 - 30, 2015) (in Ukr.).
3. V.M. Predtechensky. A.I. Milinskiy. (1979) Design of buildings taking into account the organization of the movement of human flows: A textbook for universities, Moskow, (in Russ.).
4. Kholshchevnikov V. V, Samoshin D. A Parfenenko A. P, Kudrin I. S, Belosokhov I. R. (2015) Evacuation and behavior of people during fires: Textbook, Moscow – 262 p (in Russ.).
5. Mr. Prolux. Evacuation by elevators - who goes first? Workshop on the Use for Elevators in Fires and Other Emergencies, Atlanta, Georgia, pages 1–13, March 2004. (in Eng.).
6. G. Prolux, E. Heyes, G. Hedman, J. Averill, J. Paules, D. MCColl, and P. Johnson. The use of elevators for egress. Proceedings of Human Behavior in Fire Symposium, p. 97–110, July 2009. (in Eng.).
7. On approval of the Procedure for the organization of inclusive education in secondary schools: Resolution of the Cabinet of Ministers of Ukraine of 15 August. 2011 № 872 // Government Courier. – 2011. – 10 ver. – P. 8–11. (in Ukr.).
8. Kholshchevnikov V. V, Parfenenko A. P, (2011) Evacuation of children from educational institutions: Fire safety in construction, Moscow – P. 49-51 (in Russ.).

VOL 1, No 60 (2020)

Sciences of Europe
(Praha, Czech Republic)

ISSN 3162-2364

The journal is registered and published in Czech Republic.
Articles in all spheres of sciences are published in the journal.

Journal is published in Czech, English, Polish, Russian, Chinese, German and French.

Articles are accepted each month.

Frequency: 24 issues per year.

Format - A4

All articles are reviewed

Free access to the electronic version of journal

All manuscripts are peer reviewed by experts in the respective field. Authors of the manuscripts bear responsibility for their content, credibility and reliability.

Editorial board doesn't expect the manuscripts' authors to always agree with its opinion.

Chief editor: Petr Bohacek

Managing editor: Michal Hudecek

- Jiří Pospíšil (Organic and Medicinal Chemistry) Zentiva
- Jaroslav Fährnich (Organic Chemistry) Institute of Organic Chemistry and Biochemistry Academy of Sciences of the Czech Republic
- Smirnova Oksana K., Doctor of Pedagogical Sciences, Professor, Department of History (Moscow, Russia);
- Rasa Boháček – Ph.D. člen Česká zemědělská univerzita v Praze
- Naumov Jaroslav S., MD, Ph.D., assistant professor of history of medicine and the social sciences and humanities. (Kiev, Ukraine)
- Viktor Pour – Ph.D. člen Univerzita Pardubice
- Petrenko Svyatoslav, PhD in geography, lecturer in social and economic geography. (Kharkov, Ukraine)
- Karel Schwaninger – Ph.D. člen Vysoká škola báňská – Technická univerzita Ostrava
- Kozachenko Artem Leonidovich, Doctor of Pedagogical Sciences, Professor, Department of History (Moscow, Russia);
- Václav Pittner -Ph.D. člen Technická univerzita v Liberci
- Dudnik Oleg Arturovich, Doctor of Physical and Mathematical Sciences, Professor, Department of Physical and Mathematical management methods. (Chernivtsi, Ukraine)
- Konovalov Artem Nikolaevich, Doctor of Psychology, Professor, Chair of General Psychology and Pedagogy. (Minsk, Belarus)

«Sciences of Europe» -

Editorial office: Křižíkova 384/101 Karlín, 186 00 Praha

E-mail: info@european-science.org

Web: www.european-science.org