

colloquium-journal

ISSN 2520-6990

Międzynarodowe czasopismo naukowe



Medical sciences
Technical science
Economic sciences
Agricultural sciences
Physics and mathematics

her flowers

№11(98) 2021

Część 1



colloquium-journal

ISSN 2520-6990

ISSN 2520-2480

Colloquium-journal №10 (97), 2021

Część 1

(Warszawa, Polska)

Redaktor naczelny - **Paweł Nowak**
Ewa Kowalczyk

Rada naukowa

- **Dorota Dobija** - profesor i rachunkowości i zarządzania na uniwersytecie Koźmińskiego
- **Jemielniak Dariusz** - profesor dyrektor centrum naukowo-badawczego w zakresie organizacji i miejsc pracy, kierownik katedry zarządzania Międzynarodowego w Ku.
- **Mateusz Jabłoński** - politechnika Krakowska im. Tadeusza Kościuszki.
- **Henryka Danuta Stryczewska** – profesor, dziekan wydziału elektrotechniki i informatyki Politechniki Lubelskiej.
- **Bulakh Iryna Valerievna** - profesor nadzwyczajny w katedrze projektowania środowiska architektonicznego, Kijowski narodowy Uniwersytet budownictwa i architektury.
- **Leontiev Rudolf Georgievich** - doktor nauk ekonomicznych, profesor wyższej komisji atestacyjnej, główny naukowiec federalnego centrum badawczego chabarowska, dalekowschodni oddział rosyjskiej akademii nauk
- **Serebrennikova Anna Valerievna** - doktor prawa, profesor wydziału prawa karnego i kryminologii uniwersytetu Moskiewskiego M.V. Lomonosova, Rosja
- **Skopa Vitaliy Aleksandrovich** - doktor nauk historycznych, kierownik katedry filozofii i kulturoznawstwa
- **Pogrebnaya Yana Vsevolodovna** - doktor filologii, profesor nadzwyczajny, stawropolski państwowy Instytut pedagogiczny
- **Fanil Timeryanowicz Kuzbekov** - kandydat nauk historycznych, doktor nauk filologicznych. profesor, wydział Dziennikarstwa, Bashgosuniversitet
- **Aliyev Zakir Hussein oglu** - doctor of agricultural sciences, associate professor, professor of RAE academician RAPVHN and MAEP
- **Kanivets Alexander Vasilievich** - kandydat nauk technicznych, docent wydziału dyscypliny inżynierii ogólnej wydziału inżynierii i technologii państwowej akademii rolniczej w Połtawie
- **Yavorska-Vitkovska Monika** - doktor edukacji , szkoła Kuyavsky-Pomorsk w bidgoszczu, dziekan nauk o filozofii i biologii; doktor edukacji, profesor
- **Chernyak Lev Pavlovich** - doktor nauk technicznych, profesor, katedra technologii chemicznej materiałów kompozytowych narodowy uniwersytet techniczny ukrainy „Politechnika w Kijowie”
- **Vorona-Slivinskaya Lyubov Grigoryevna** - doktor nauk ekonomicznych, profesor, St. Petersburg University of Management Technologia i ekonomia
- **Voskresenskaya Elena Vladimirovna** doktor prawa, kierownik Katedry Prawa Cywilnego i Ochrony Własności Intelektualnej w dziedzinie techniki, Politechnika im. Piotra Wielkiego w Sankt Petersburgu
- **Tengiz Magradze** - doktor filozofii w dziedzinie energetyki i elektrotechniki, Georgian Technical University, Tbilisi, Gruzja
- **Usta-Azizova Dilnoza Ahrarovna** - kandydat nauk pedagogicznych, profesor nadzwyczajny, Tashkent Pediatric Medical Institute, Uzbekistan

    SlideShare



INDEX COPERNICUS
INTERNATIONAL

НАУЧНАЯ ЭЛЕКТРОННАЯ
БИБЛИОТЕКА
LIBRARY.RU

«Colloquium-journal»

Wydawca «Interdruk» Poland, Warszawa
Annopol 4, 03-236

E-mail: info@colloquium-journal.org
<http://www.colloquium-journal.org/>

CONTENTS

MEDICAL SCIENCES

Bilai S. I., Dovbysh M. A.

INFLUENCE OF QUERTINE ON THE FREE RADICAL LIPID PEROXIDATION IN PATIENTS WITH URONEPHROLITHIASIS COMORBID WITH METABOLIC SYNDROM4

AGRICULTURAL SCIENCES

Shcherbakova Yu. V.

INHERITANCE AND MANIFESTATION OF ECONOMICALLY VALUABLE CHARACTERISTICS OF EAR IN INTERVARIOUS HYBRIDS OF SOFT WINTER WHEAT IN FOREST STEPPE CONDITIONS10

PHYSICS AND MATHEMATICS

Бабкина А.А., Андрюшечкина Н.А.

ПРИМЕНЕНИЕ МЕТОДОВ ДИСТАНЦИОННОГО ОБУЧЕНИЯ ДЛЯ ФАКУЛЬТЕТА СПО15

Babkina A.A., Andryushechkina N.A.

APPLICATION OF DISTANCE LEARNING METHODS FOR FACULTY OF SPO15

Бабкина А.А., Андрюшечкина Н.А.

ПРИМЕНЕНИЕ ПЕДАГОГИЧЕСКИХ МЕТОДОВ И ЦИФРОВЫХ ТЕХНОЛОГИЙ ПРИ ИЗУЧЕНИИ МАТЕМАТИКИ В АГРАРНЫХ ВУЗАХ17

Babkina A.A., Andryushechkina N.A.

APPLICATION OF PEDAGOGICAL METHODS AND DIGITAL TECHNOLOGIES IN STUDYING MATHEMATICS IN AGRARIAN UNIVERSITIES.17

ECONOMIC SCIENCES

Волошина-Сідей В.В.

МЕТОДОЛОГІЧНІ ПІДХОДИ ДО ОЦІНКИ ФІНАНСОВОГО СТАНУ ПІДПРИЄМСТВА В ПЕРІОД КРИЗИ ТА НЕСТАБІЛЬНОСТІ19

Voloshina-Sidey V.V.

METHODOLOGICAL APPROACHES TO THE ASSESSMENT OF THE FINANCIAL CONDITION OF THE ENTERPRISE DURING THE CRISIS AND INSTABILITY19

Іванченко В., Шпикуляк О.Г.

СТРАТЕГІЯ ТА ПЕРСПЕКТИВИ ФОРМУВАННЯ СТАЛОГО РОЗВИТКУ ПІДПРИЄМНИЦТВА В СІЛЬСЬКОМУ ГОСПОДАРСТВІ УКРАЇНИ22

Ivanchenko V., Shpykuliak O.H.

STRATEGY AND PROSPECTS OF FORMATION OF SUSTAINABLE DEVELOPMENT OF ENTREPRENEURSHIP IN AGRICULTURE OF UKRAINE22

Kubai O.G.

FINANCIAL SUPPORT OF PRODUCTION ACTIVITIES OF AGRICULTURAL ENTERPRISES27

TECHNICAL SCIENCE

Айнагулова А.С., Кеңесов Д.К.

ТЕОРИЯ МАССОВОГО ОБСЛУЖИВАНИЯ (ТМО) КАК МЕТОД ПРИНЯТИЯ РЕШЕНИЯ ДЛЯ ЗАДАЧ УПРАВЛЕНИЯ40

Ainagulova A.S., Kengessov D.K.

MASS SERVICE THEORY (MST) AS A DECISION METHOD FOR CONTROL PROBLEMS40

Грицун А.В., Бабин І.А.

ДОСЛІДЖЕННЯ РЕЖИМІВ РОБОТИ ДІЙКОВОЇ ГУМИ ПЕРЕМІННОГО ПЕРЕРІЗУ42

Hrytsun A., Babyn I.

RESEARCH OF MODES OF OPERATION OF A TEAT THE RUBBER OF VARIABLE CROSS-SECTION42

Битибаяева Ж.К.

МЕТОД ОБРАТНОГО РАСПРОСТРАНЕНИЯ ОШИБКИ ДЛЯ ОБУЧЕНИЯ НЕЙРОННЫХ СЕТЕЙ47

Bitibayeva Zh.K.

A METHOD OF BACK PROPAGATION ERROR FOR NEURAL NETWORKS TRAINING47

Грицун А.В.,
к.с.-г.н., доцент кафедри
агроінженерії та технічного сервісу,
Вінницький національний аграрний університет,
м. Вінниця

Бабин І.А.
к.т.н., старший викладач кафедри машин та
обладнання сільськогосподарського виробництва,
Вінницький національний аграрний університет,
м. Вінниця

[DOI: 10.24412/2520-6990-2021-1198-42-47](https://doi.org/10.24412/2520-6990-2021-1198-42-47)

ДОСЛІДЖЕННЯ РЕЖИМІВ РОБОТИ ДІЙКОВОЇ ГУМИ ПЕРЕМІННОГО ПЕРЕРІЗУ

Hrytsun Anatolii,
PhD, Associate Professor of the Department
of "Agro-engineering and Technical Service"
Vinnytsia National Agrarian University,
Vinnytsia

Babyn Ihor
PhD of Eng., Senior Lecturer of the Department
"Machinery and equipment for agricultural production"
Vinnytsia National Agrarian University,
Vinnytsia
ORCID: 0000-0002-7070-4957

RESEARCH OF MODES OF OPERATION OF A TEAT THE RUBBER OF VARIABLE CROSS-SECTION

Анотація.

Вітчизняна та зарубіжна промисловості не випускають доїльні апарати, які в повній мірі відповідали б фізіології тварин. Повноцінне видоювання вимені та зниження захворювання корів маститом значно залежить від роботи доїльного апарата. Якість роботи серійних доїльних стаканів не в повній мірі відповідає сучасним зоотехнічним вимогам. В процесі їх роботи, особливо на початку і в кінці доїння корів може відбутись «холосте» доїння при номінальному вакуумі. Доїння при високому вакуумі часто призводить до подразнення сфінктера дійок, що часто спричиняє захворювання тварин маститом з подальшим їх вибраковуванням. Також разом із зростанням виробництва кількості молока виключно важливе значення набуває його якість. Проаналізовані основні технічні рішення стосовно доїльних апаратів з керованою зміною вакууметричного тиску. Проведені деякі теоретичні та експериментальні дослідження роботи доїльного апарату, який забезпечує зменшення вакууметричного навантаження на вим'я та жорстку вібраційну дію на сфінктер дійки при номінальному вакуумі в процесі машинного доїння корів. Незважаючи на безліч відомих рішень вдосконалення доїльного апарату, актуальним залишається завдання створення конструкції, що поєднує високу продуктивність і стимулювання рефлексу. Конструкції доїльних апаратів зараз удосконалюються в основному в двох напрямках, а саме - розробка доїльних апаратів, що дозволяють регулювати робочі параметри залежно від рівня молоковіддачі та конструктивні вдосконалення механізмів доїльних апаратів які стимулюють рефлекс молоковіддачі не наносячи тварині негативних дій. Проведені теоретичні дослідження робочого процесу машинного доїння дозволили систематизувати методику інженерного розрахунку доїльного апарату з керованим режимом вакууметричного тиску на дійки корови і визначити оптимальні конструктивні параметри виконавчих механізмів. Отримані аналітичні вирази характеризують вплив їх параметрів та режиму роботи на динаміку молоковіддачі при машинному доїнні корів.

Abstract.

Domestic and foreign industries do not produce devices for milking cows, which would fully comply with the physiology of animals. Full milking of the udder and reduction of mastitis in cows significantly depends on the operation of the milking machine. The quality of serial milking cups does not fully meet modern zootechnical requirements. In the process of their work, especially at the beginning and end of milking cows, "idle" milking can take place at a nominal vacuum. High vacuum milking often irritates the teat sphincter, which often causes mastitis in animals with subsequent culling. Also, along with the growth of milk production, its quality is extremely important. The main technical solutions for milking machines with the controlled change of vacuum pressure are analyzed. Some theoretical and experimental studies of the milking machine, which reduces the vacuum load on the udder and the rigid vibration effect on the teat sphincter at nominal vacuum in the process of machine milking cows. Despite the many known solutions to improve the milking machine, the task of creating a design that combines high productivity and stimulation of the reflex remains relevant. Designs of milking machines are now being improved mainly in two directions, namely - the development of milking machines that allow you to adjust the operating parameters depending on the level of milk yield and design improvements of milking machines that

stimulate the milk reflex without causing adverse effects on the animal. Theoretical studies of the working process of machine milking allowed to systematize the method of engineering calculation of the milking machine with controlled vacuum pressure on the teats of the cow and to determine the optimal design parameters of the actuators. The obtained analytical expressions characterize the influence of their parameters and mode of operation on the dynamics of milk yield during machine milking of cows.

Ключові слова: молоко, доїння, доїльний стакан, доїльна гума, апарат машинного доїння.

Keywords: milk, milking, milking cup, milking rubber, machine milking machine.

In general, the profitability of milk in the country is very low and is only 7.8%. At the current stage of economic development of the country, for domestic dairy farming to be profitable, competitive and ensure food independence, it must be highly productive. To do this, it is necessary to accelerate the introduction of advanced technologies of milk production in dairy farming on the basis of the creation and use of competitive domestic equipment. In this regard, the direction of work to improve milking machines is quite multifaceted. This is, first of all, increasing the capacity of milking machines.

The operation of milking equipment significantly affects the completeness of milking cows. And the disease of cows with mastitis to some extent depends on the proper operation of the equipment. Existing serial milking equipment does not always provide quality indicators of the technological process that meet current zootechnical standards [1,2]. In the process of their work, especially at the beginning and end of milking cows, "idle" milking can take place at a nominal vacuum. This often leads to mastitis in animals, which leads to their culling. In addition, along with the growth of gross milk production, its quality is important.

Domestic and foreign industries, as can be seen from the analyzed technical solutions of milking equipment with a controlled process, do not produce such milking machines that would fully comply with the physiology of animals.

Cows are characterized by a disease such as mastitis.

Zootechnical science reveals viral and technical causes of mastitis in lactating animals. Technical reasons are the mechanical action of the milking machine on the teats of the udder. One of their types is the effect of the nipple tube on the teat during the compression stroke in the form of "cotton". For one machine milking the milking machine can "give out" up to 400-600 such "blows" [3,4].

The nature of the effect of nipple rubber on the cow's teat depends on many factors: the pressure drops in the interstitial and sub nipple spaces of the milking cup; physical and mechanical properties and design parameters of nipple rubber; its tension in the sleeve of the glass and the elasticity of the teat.

Analyzing the situation regarding machine milking of cows, we see that the issue of development of milking equipment, which eliminates these negative phenomena during its operation, remains relevant and requires a further solution.

There are three ways to remove milk from the udder of a cow: a) natural; b) manual; c) machine. In the natural way, milk is sucked out by calves. However, in order to obtain milk for human needs, technical means are needed that would maximally model the process of

suckling cows to calves [1,2]. The rate of sucking in calves consists of two phases: sucking (1 squeezing) and rest. These phases are characterized by maximum positive and maximum negative pressures.

Studies of the sucking process of calves have shown that during the swallowing phase the positive pressure decreases to atmospheric, while the vacuum is maintained during both phases: sucking and swallowing. The maximum vacuum in the mouth of a calf is 30.6-33.25 kPa, and the number of sucks ranges from 100 to 120 per minute. The average value of the vacuum created in the oral cavity of the calf at a constant sucking process is equal to 17.20 kPa. The average pressure caused by the calf on the teat is in the range of 110.7-112.7 kPa, and the maximum pressure reaches 132.3 kPa [4,5]

In machine milking of cows, milk is removed from the udder by the action of a working vacuum (vacuum) created under the teat (1.5 to 2.5 times higher than in the calf's mouth during sucking) [5]

In our country milking machines which have various technical indicators and design features are issued. Milking machines can have different weight of the suspended part and the sizes of separate parts. Milking machines of the same brand are often provided with different nipple rubber in terms of stiffness and diameter of the inlet. The analysis of tendencies in designing of milking machines shows a classical way of their development - expansion of adaptive possibilities of equipment and at the same time its sharp complication.

Thus, analyzing the existing designs of milking cups and based on scientific physiological research, the chosen direction is aimed at developing structural elements of the actuators of the milking machine, which meet zootechnical requirements and eliminate the negative impact on animals.

The purpose of the work is to increase the efficiency of the milking machine on the basis of the development of teat rubber of variable cross-section, to reduce the effect of vacuum pressure on the teats of the udder of cows.

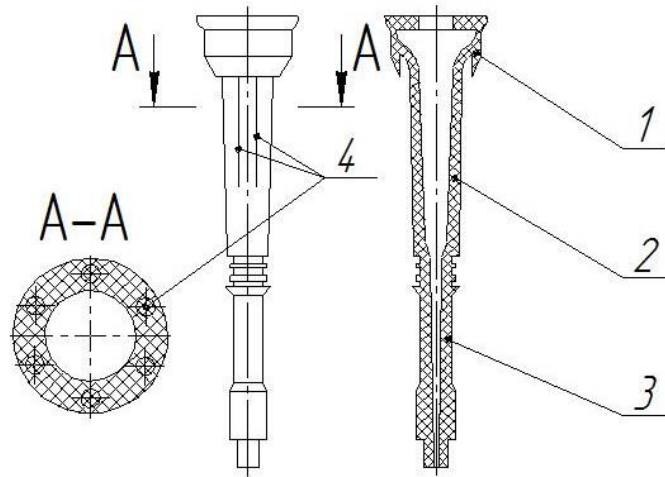
It is known that the nature of the influence of nipple rubber on the teat of a cow depends on such factors as the pressure drop in the interstitial and subpapillary spaces of the milking cup, physical and mechanical properties and design parameters of teat rubber and its tension in the glass sleeve, teat elasticity and others.

Therefore, it is advisable to develop teat rubber that allows you to minimize the impact of its working part on the teat of the cow during the operation of the milking machine and eliminate the technical cause of mastitis in cows.

One of the ways to solve this problem is the development of nipple rubber milking cup with symmetrically mounted cord threads with a diameter of about 1 mm. The total number of threads ranged from 0 to 6.

Studies of milking rubber with cord threads were carried out in the laboratory of machine milking of cows of VNAU.

Cord threads provide the necessary rigidity of the upper part of the nipple tube, thereby reducing the impact of milking rubber on the walls of the teat at the rates of suction and compression (fig. 1).



1-suction chamber, 2-working part of milking rubber;
3-milk tube; 4-cord threads.

Fig. 1. Milking rubber with cord threads

The results of laboratory studies of the use of such rubber are shown in table 1.

Table 1.

Test results of corded milking rubber

Number of threads	Average number shock loads
0	260-360
3	185-228
6	52-64
9	5-10

As can be seen, the studied design of teat rubber reduces the impact of the nipple tube on the teats of the cow, but it does not fully reduce the vacuum load on the tissues of the udder.

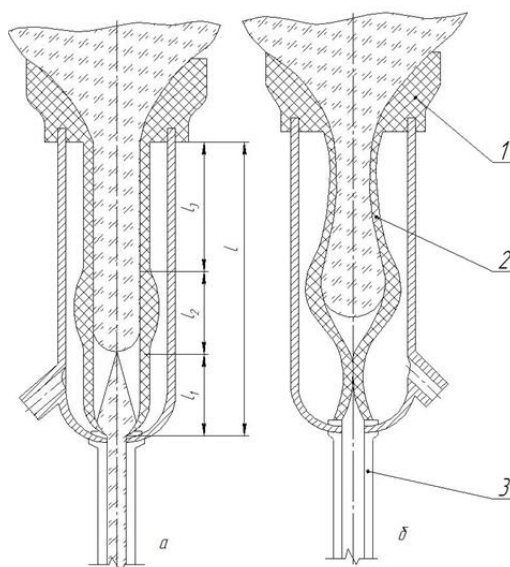
Also, rubber with reinforced threads is difficult to manufacture and can increase the cost of equipment.

To solve this goal, it is more appropriate to use milking rubber with a differentiated wall thickness.

The nipple tube of milking rubber (Fig. 2) consists of several parts. The upper working part, the middle - (about 40 mm) made of thickened 3.5 ... 4 mm, and the lower - (about 40 mm) working part of the nipple tube which has a thickness of 2.0 ... 2.5 mm. The thickness of the walls of the nipple tube of serial milking machines is 2.0 ... 2.5 mm, and the length of the working

part is 120 mm. The variable stiffness of the working part of the nipple tube allows to reduce the vacuum load on the tissues of the cow's teats and to avoid impact on the nipple, and to prevent the "aerosol" effect.

The calculation of the stability of the nipple rubber with a differentiated wall thickness (Fig. 3) can be performed on the basis of the classical theory of shells [7]. Thus, geometrical linear equations for the decision of a problem of stability of a cylindrical cover are received. Knowing the boundary conditions for solving the system of differential linear equation, the authors obtained the formula of the critical pressure q (kPa) on the tissues of the teat.



a- suction stroke, b- compression stroke:
 1 - suction chamber, 2 - working part of the nipple rubber; 3 - milk outlet;
 Fig. 2. Milking cup with modernized nipple rubber.

$$q = \bar{q}E \left(\frac{h}{R} \right)^2, \quad (1)$$

\bar{q} - dimensionless critical load factor obtained experimentally; E - modulus of elasticity of teak rubber, N/cm^2 ; h - is the wall thickness, cm ; R - is the radius of the rubber, cm

An important parameter in the operation of milking rubber is the magnitude of the change in the diameter of the teat during the compression stroke

$$h = \frac{(Y_p \cdot l_1) + (Y_p \cdot l_2) + (Y_p \cdot l_3)}{d} = \frac{Y_p(l_1 + l_2 + l_3)}{d}, \quad (2)$$

l_1, l_2, l_3 - are taken equal to 0.04 m

During the compression stroke, the transverse deformation of the teat rubber allows its absence in the area $-l_2$ and its reduction in the area $-l_2$ in the form of such a design of the suction chamber (suction cup).

Then expression (2) will take the form

$$h = \frac{Y_p \cdot l_1 + Y_p \cdot l_3}{d} = \frac{Y_p(l_1 + l_3)}{d} \quad (3)$$

Teat rubber, which affects the teat of the animal, can be represented as a beam lying on an elastic base. However, the magnitude of the reaction to the beam is proportional to its deflection [7]. Therefore, we can assume that the pressure exerted by the nipple tube on the teat P_T is proportional to the magnitude of the deformation of the tube in cross section [6,7], etc.

$$P_T = CY_p \quad (4)$$

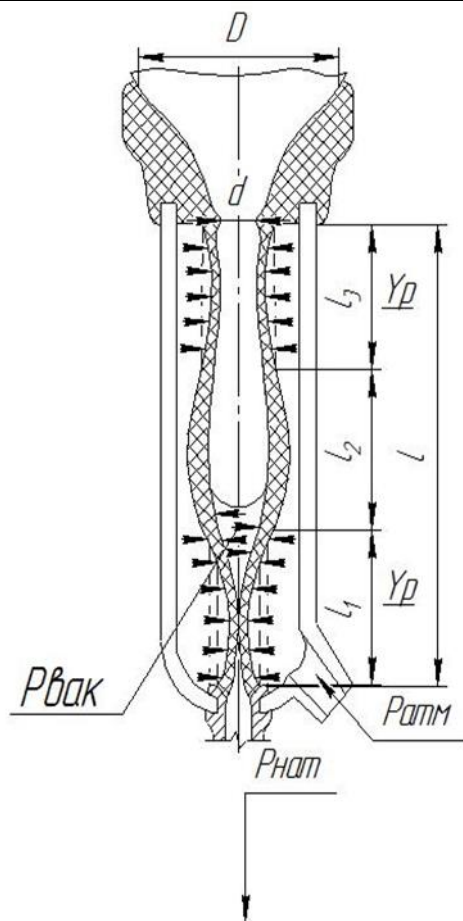
C - the total coefficient of elasticity of teat rubber and teat tissue of the animal

$$C = C_{\text{rubber}} + C_{\text{teats}}, H/m.$$

From formula (4) we obtain Y_p

$$Y_p = \frac{P_T}{C_{\text{rubber}} + C_{\text{teats}}}, \quad (5)$$

we accept $P_T = \Delta p$; $\Delta p = p_{\text{amm}} - p_{\text{вак}}$ *



D - outer diameter of the suction cup, m;
 d - inner diameter of the suction cup, m;
 l_1, l_3 - working length of rubber without change of thickening, m;
 l_2 - working thickened length of rubber, m;
 l - is the total working length of the rubber, m;
 $P_{амм}$ - atmospheric pressure acting on rubber, kPa;
 $P_{вак}$ - vacuum pressure, kPa;
 $P_{нам}$ - the force of tension of the tire, H;
 Y_p - is the transverse deformation of the rubber under the action of Δp , m;
 Δp - pressure drop in the interwall and sub milk spaces of the milking cup, kPa;
 h - is the magnitude of the change in the diameter of the teat at the compression stroke, m

Fig. 3

Scheme of action of forces on the experimental milking rubber and teat tissue during the compression stroke

Substituting the value Y_p into formula (3), we obtain:

$$h = \frac{\left(\frac{\Delta p}{C_{rubber} + C_{teats}} \right) \cdot l_1 + \left(\frac{\Delta p}{C_{rubber} + C_{teats}} \right) \cdot l_3}{1,33 \cdot d} \quad (6)$$

Taking into account that the upper part of the teat rubber closes when the compression stroke is not completely. In the resulting formula (6) is introduced a coefficient (1.33), which takes into account this fact.

Analysis of formula (6) shows that the experimental nipple tube reduces the "cotton" effect on the tissues of the teat of the animal by reducing the pressure difference in the teat and in the teat space.

The results of studies of a milking machine with nipple rubber of variable cross section showed that the minute vacuum load was reduced by half, compared with serial samples. Also, a smaller value of the maximum tensile force acting on the teat was obtained in comparison with serial milking machines. Thus, the proposed design of teat rubber of variable cross-section can significantly reduce the vacuum load on the tissues of the udder of the cow and the teat of the teat, which will have a positive effect on the health of cows.

The existing tendencies of researches and calculation of influence of nipple rubber on teats of cows are analyzed. The analytical dependence of the effect of the tube

of variable stiffness on the tissues of the udder and teats of cows is derived.

It was found that the experimental teat rubber of variable cross-section reduces the vacuum effect that the milking cup has on the teat tissues by an average of 30%, and promotes a safer process of machine milking cows.

References

1. Dmytriv V.T. Obgruntuvannya parametriv vymiryuvacha potoku moloka v protsesi mashynnoho doynnya: Dys. kand. tekhn. Nauk. Hlevakha. 1995. 191p.
2. Hunko I.V., Babyn I.A. Fyzyko-matematychna model roboty hidrozhektora systemy promyvannya doylnykh ustanovok. Vibratsiyi v tekhnitsi ta tekhnolohiyakh. 2020. №2. P. 111-118.
3. Drigo V.A., Mikhaylenko N.K., Ostapenko N.A. Ustroystvo regulirovaniya velichiny vakuuma v doilnom stakane proporsional'no potoku moloka. Tezisy 9 mezhdunarodnogo seminaru. Orenburg. 1997. P. 48-49.
4. Kartashov L.P. Mashinnoye doyniye korov. Moscow. Kolos. 1982. 386 p.
5. Fenenko A.I. Rezhymni kharakterystyky vykonavchikh mekhanizmiv dlya novoho pokolinnya doylnykh ustanovok. Visn. Lviv. derzh. ahrarn. un-tu. Ahroin-zhenerni doslidzhennya. 1999. №3. P. 18-26.
6. Hrytsun A.V., Babyn I.A., Sevastyanov I.V.

Doslidzhennya vplyvu sosskovoï humy na diyky vy-meni koriv. Tekhnika, enerhetyka, transport APK. 2018. №4 (101). S. 4–9.

7. Sinyavskiy I.S. Soprotivleniye materialov.

УДК: 004.8

Moscow. Kolos. 1968. 430 p.

8. Kartashov L.P. Metodicheskiy material po raschetu elementov doilnykh apparatov. Moscow. NII Selkhoz mashch, 2001. 241 p.

Битибаяева Ж.К.

Университет «Туран-Астана»

МЕТОД ОБРАТНОГО РАСПРОСТРАНЕНИЯ ОШИБКИ ДЛЯ ОБУЧЕНИЯ НЕЙРОННЫХ СЕТЕЙ

Bitibayeva Zh.K.

«Turan-Astana» University

A METHOD OF BACK PROPAGATION ERROR FOR NEURAL NETWORKS TRAINING

Аннотация.

Статья посвящается применению метода обратного распространения ошибки для модели нейронной сети. Рассмотрена модель искусственного нейрона через уравнение состояния нейрона и определены выражения для его составляющих. Для обучения нейронной сети был выбран метод обратного распространения ошибки и приводится идея его использования для поставленной задачи.

Abstract.

The article is devoted to the application of the backpropagation error method for a neural network model. An artificial neuron model is considered through the equation of a neuron state and expressions for its components are determined. The backpropagation error method was chosen for training the neural network and provides an idea of its use for the task.

Ключевые слова: нейрон, нейронная сеть, обучение нейросети, метод обратного распространения ошибки, интеллектуальная сеть.

Keywords: neuron, neural network, neural network training, backpropagation error method, intelligent network.

В настоящее время возрастает необходимость в системах, которые способны не только выполнять однажды запрограммированную последовательность действий над заранее определенными данными, но и способные сами анализировать вновь поступающую информацию, находить в ней закономерности, производить прогнозирование и т.д. В этой области приложений самым лучшим образом зарекомендовали себя так называемые *нейронные сети* – самообучающиеся системы, имитирующие деятельность человеческого мозга.

Рассмотрим подробнее структуру искусственных нейронных сетей и их применение в конкретных задачах.

Несмотря на большое разнообразие вариантов нейронных сетей, все они имеют общие черты. Так, все они, так же, как и человеческий мозг, состоят из большого числа связанных между собой однотипных элементов – *нейронов*, которые имитируют нейроны головного мозга. На рисунке 1 показана схема нейрона живого существа.



Рисунок 1 – Нейрон у живого существа

На рисунке 2 приведен модельный аналог нейрона. Из рисунка 2 видно, что искусственный

нейрон, так же, как и живой, состоит из синапсов, связывающих входы нейрона с ядром; ядра

Colloquium-journal №11(98), 2021

Część 1

(Warszawa, Polska)

ISSN 2520-6990

ISSN 2520-2480

Czasopismo jest zarejestrowany i wydany w Polsce. Czasopismo publikuje artykuły ze wszystkich dziedzin naukowych. Magazyn jest wydawany w języku angielskim, polskim i rosyjskim.

Częstotliwość: co tydzień

Wszystkie artykuły są recenzowane.

Bezpłatny dostęp do elektronicznej wersji magazynu.

Przesyłając artykuł do redakcji, autor potwierdza jego wyjątkowość i jest w pełni odpowiedzialny za wszelkie konsekwencje naruszenia praw autorskich.

Opinia redakcyjna może nie pokrywać się z opinią autorów materiałów.

Przed ponownym wydrukowaniem wymagany jest link do czasopisma.

Materiały są publikowane w oryginalnym wydaniu.

Czasopismo jest publikowane i indeksowane na portalu eLIBRARY.RU,

Umowa z RSCI nr 118-03 / 2017 z dnia 14.03.2017.

Redaktor naczelny - **Paweł Nowak, Ewa Kowalczyk**

«Colloquium-journal»

Wydawca «Interdruk» Poland, Warszawa

Annopol 4, 03-236

Format 60 × 90/8. Nakład 500 egzemplarzy.

E-mail: info@colloquium-journal.org

<http://www.colloquium-journal.org/>